



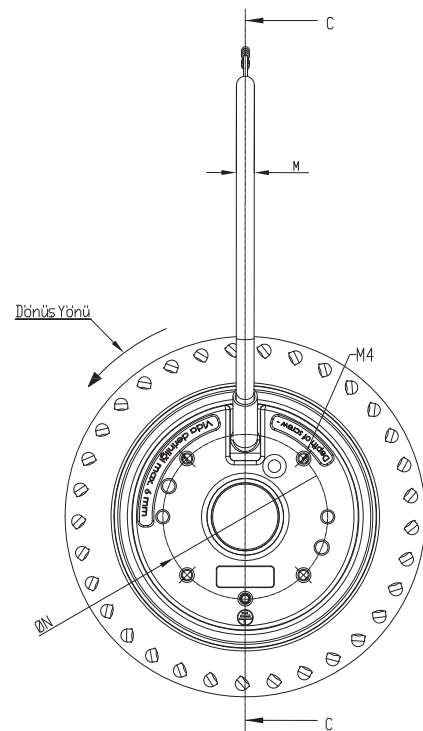
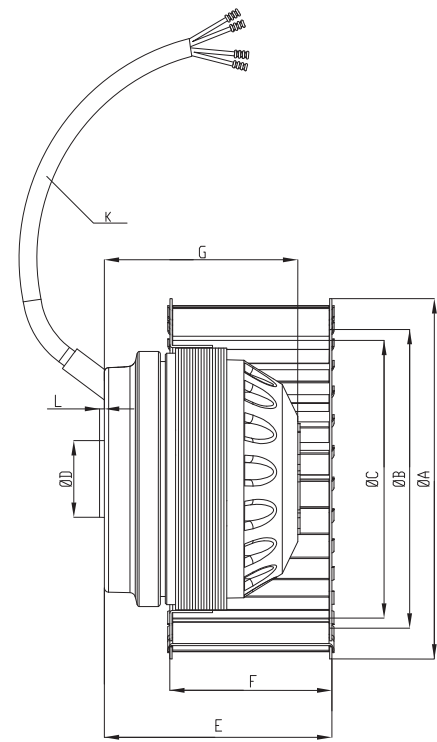
# BASSF

AC CENTRIFUGAL MOTORIZED IMPELLERS  
Forward Curved

High static pressure / laminar air flow / low noise level / powerful design / high efficiency / space saving due to their compact structure.

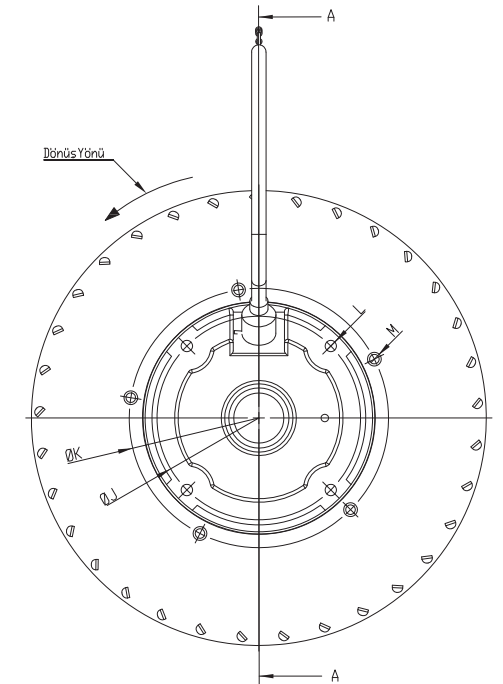
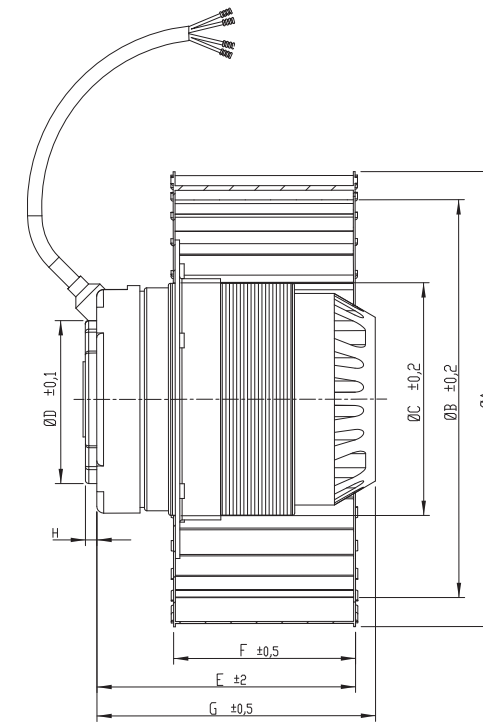
## Technical Drawing

- MATERIAL** : Blade is made of galvanized sheet steel or aluminium.
- INSULATION CLASS** : Class B and Class F
- DIRECTIVE** : EN 60335, EN 60335-2-80
- SPEED CONTROL** : Speed can be adjusted using an optional controller.
- APPLICATION AREAS** : Duct fans, centrifugal fans, machines cooling and boilers, elevator motor cooling, yacht air conditioning, electric board cooling, laboratories, residential and industrial areas etc.



TYPE	A	B	C	D	E	F	G	K	L	M	N
BASSF 120-60	120	102	92	27	78	62	64	220	2	6	58
BASSF 140-60	140	124	92	27	80	59	71	220	2	6	58
BASSF 160-60	160	137	92	27	83	62	81	220	2	6	58

(E) Dimension is variable according to motor stator dimension.



TYPE	A	B	C	D	E	F	G	H	J	K	L	M
BASSF 200-80	200	172	102	74	114	80	122,5	5	89,5	120	M6	M5
BASSF 225-90	225	179	137	105	136	90	140	6	122	154	M6	M5
BASSF 250-100	250	203	137	105	164	98	160	6	122	154	M6	M5
BASSF 280-112	280	234	188	140	150	112	159	6	161,5	210	M10	M8
BASSF 315-125	315	259	188	140	163	125	159	6	161,5	210	M10	M8
BASSF 355-138	355	298	188	140	176	138	185	6	161,5	210	M10	M8

(E) Dimension is variable according to motor stator dimension.

TYPE	VOLTAGE	FREQUENCY	POWER	CAPACITOR	SPEED	AIR FLOW	SOUND PRESSURE LEVEL	WEIGHT
	V	Hz	W	(µF)	rpm	m <sup>3</sup> /h	dB(A)	kg
BASSF 120-60	230	50	90	2.5	2450	380	65	1.4
BASSF 140-60	230	50	140	4	2265	600	52	1.8
BASSF 160-60	230	50	185	5	2100	750	54	2.1
BASSF 200-80	230	50	200	6	1250	1200	53	12
BASSF 225-90	230	50	210	8	1400	1800	55	16
BASSF 250-100	230	50	220	14	1250	2300	58	19
BASSF 280-112	380	50	240	-	1350	2915	61	23
BASSF 315-125	380	50	230	-	1280	5750	64	33
BASSF 355-140	380	50	230	-	915	6500	70	40

