



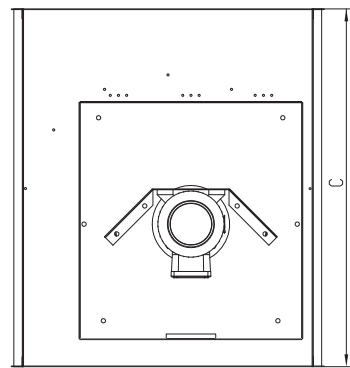
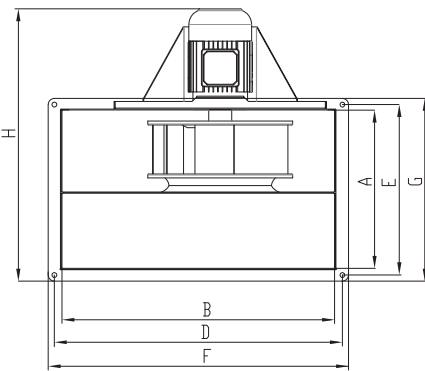
# BDKF-R

## AC DIRECT DRIVE RECTANGULAR IN LINE DUCT FANS

### Backward Curved

Motor is out of Airflow  
 Smoke Exhaust Fan (-40.....+120C)  
 Smoke Exhaust Fan F400 c 2h  
 Exproof Exhaust Fan (explosion proof fan)

### Technical Drawing



- MATERIAL** : Housing and backward inclined impeller is made of galvanized sheet metal.
- INSULATION CLASS** : Class F
- DIRECTIVE** : EN 60335-1, EN 60335-2-80
- SPEED CONTROL** : Speed can be adjusted using an optional controller.
- APPLICATION AREAS** : Kitchen exhaust applications, hotels, carparking areas, buildings, shopping malls etc.

TYPE	VOLTAGE V	FREQUENCY Hz	POWER W	SPEED rpm	AIR FLOW m <sup>3</sup> /h	SOUND PRESSURE LEVEL dB(A)	WEIGHT kg
BDKF-R 315	230/380	50	250	1400	3000	45	35
BDKF-R 355	230/380	50	370	1400	3500	50	42
BDKF-R 400	230/380	50	550	1400	4700	53	47
BDKF-R 450	230/380	50	1100	1400	6000	57	51
BDKF-R 500	230/380	50	1500	1320	8400	56	65
BDKF-R 560	230/380	50	2.200	1320	11000	59	72

### Accessories



**BSC-F    BDEB    BDH    BDKS**

TYPE	A	B	C	D	E	F	G	H
BDKF-R 315	350	600	760	620	370	650	400	550
BDKF-R 355	350	600	760	620	370	650	400	550
BDKF-R 400	400	700	800	720	420	750	450	630
BDKF-R 450	400	700	800	720	420	750	450	630
BDKF-R 500	500	800	920	820	520	850	560	780
BDKF-R 560	500	1000	1050	1030	530	1060	560	780

Dimensions are in (mm)

