



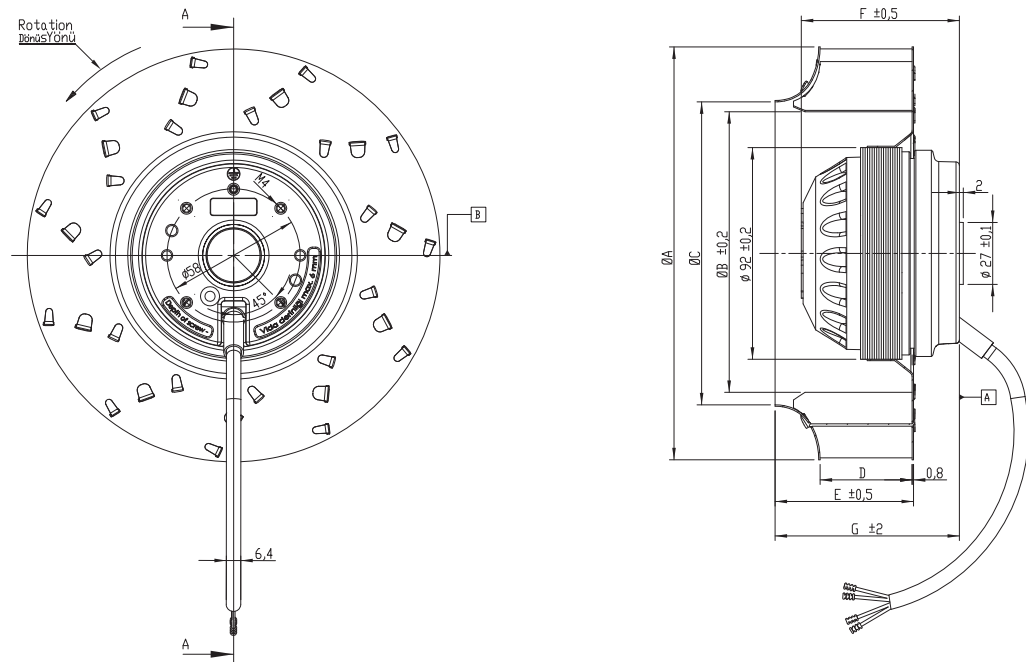
# BDRKF

AC CENTRIFUGAL MOTORIZED IMPELLERS  
Backward Curved

Strong air suction / high pressure / high efficiency / powerful design / low noise / laminar air flow

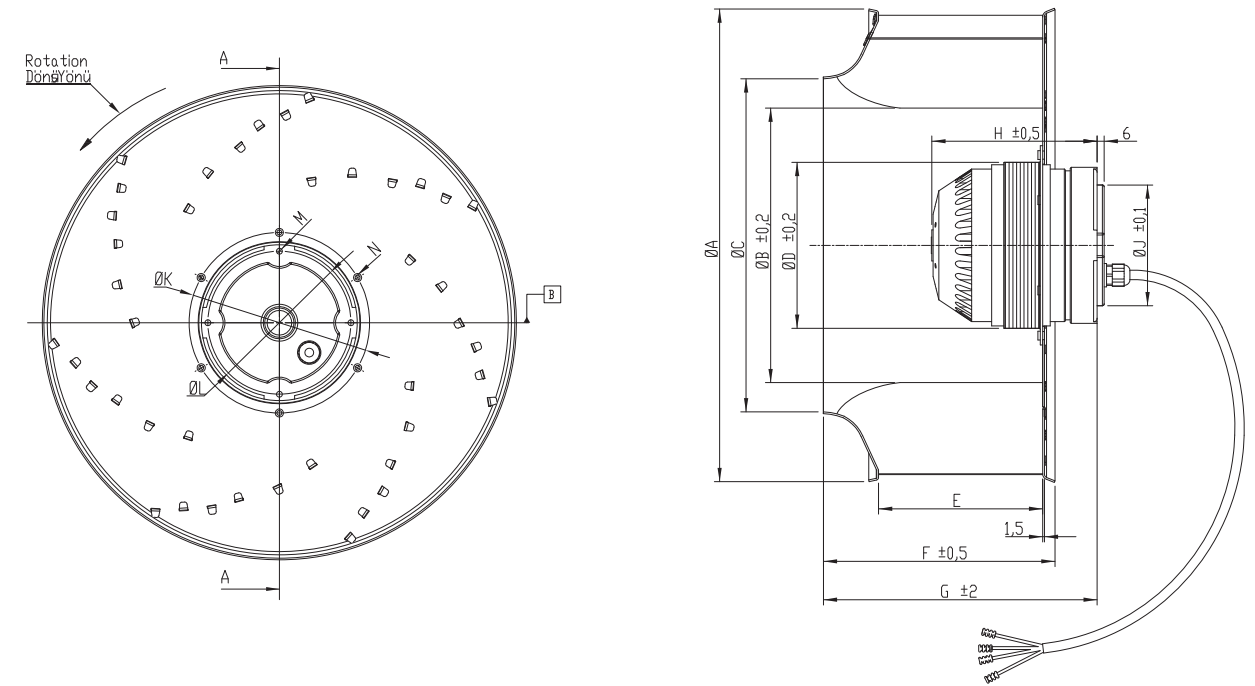
- MATERIAL** : Impeller is made of galvanized sheet metal or aluminium sheet.
- INSULATION CLASS** : Class B & Class F
- DIRECTIVE** : EN 60335, EN 60335-2-80
- SPEED CONTROL** : Speed can be adjusted using an optional controller.
- APPLICATION AREAS** : For industrial applications, duct fans, roof fans, centrifugal fans, heat exchangers, Air Handling Units, in factories, hospitals, laboratories, offices, kitchens, etc.

## Technical Drawings



TYPE	A	B	C	D	E	F	G
BDRKF 160	162	118	121,5	40	60,5	66	80
BDRKF 180	179,5	118	121,5	40	60,5	69	84
BDRKF 225	227	149,5	153	40	67	76	84
BDRKF 250	252	169	172,5	40	69	90	97
BDRKF 280	281	189	190	40	75	90	104

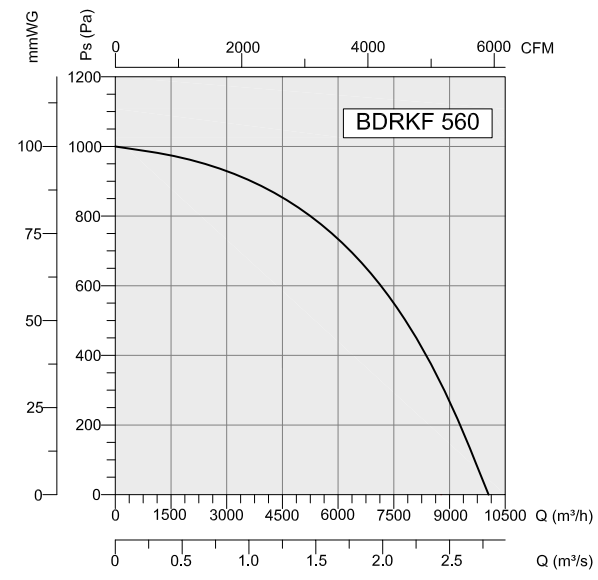
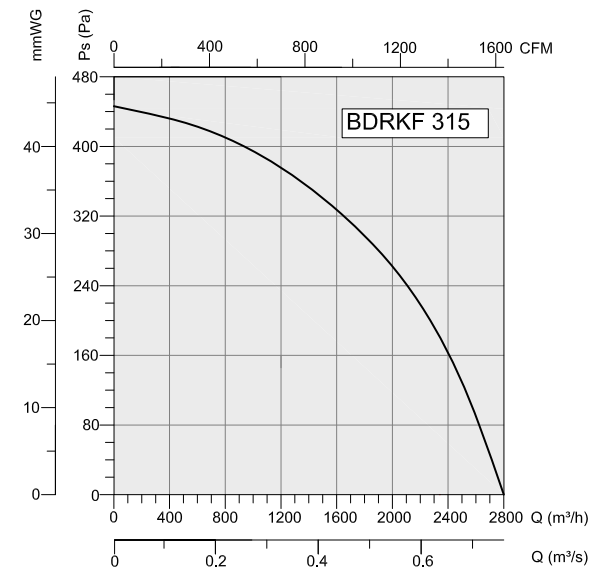
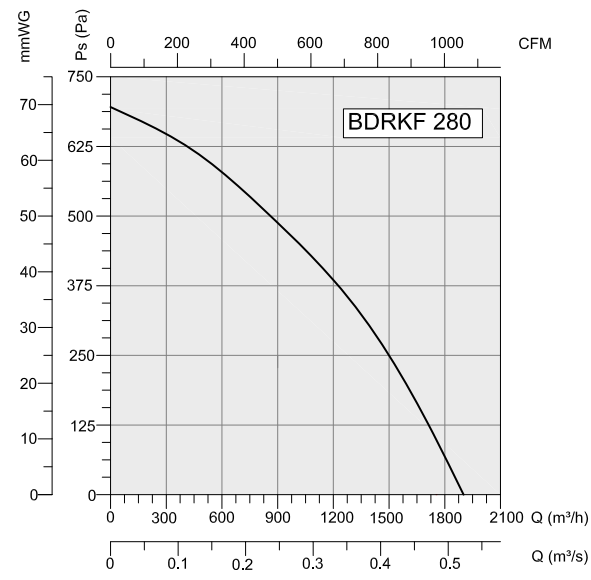
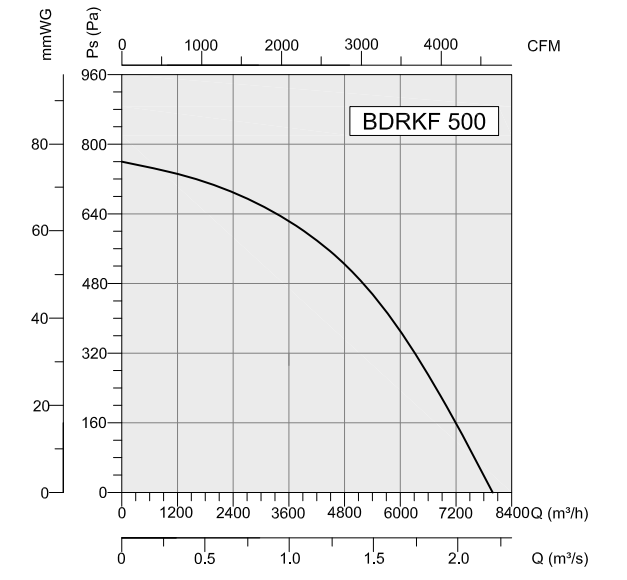
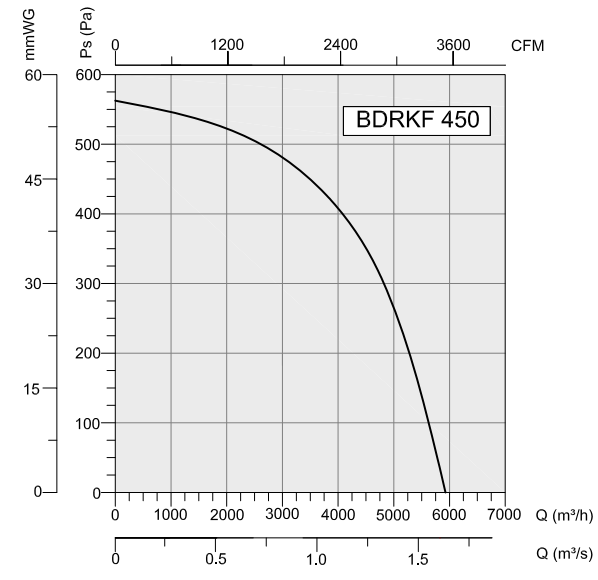
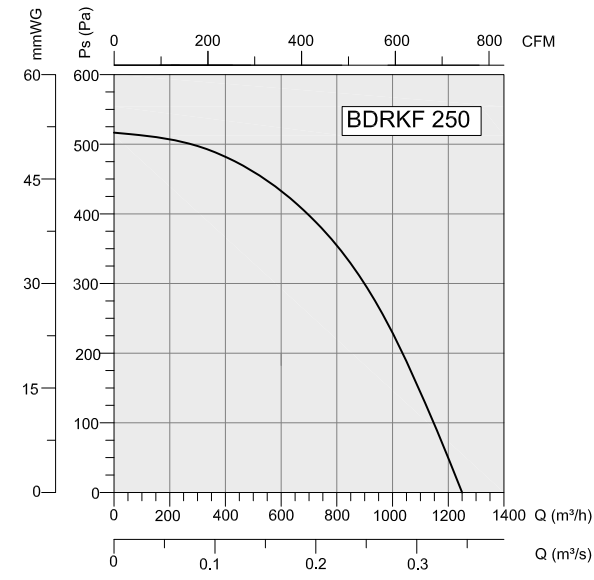
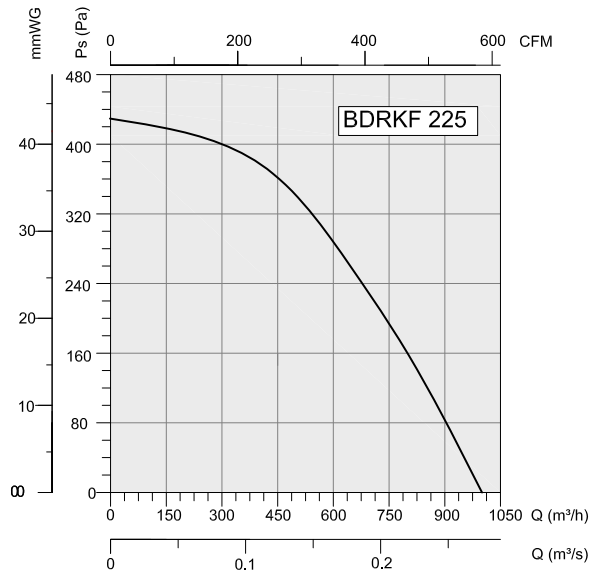
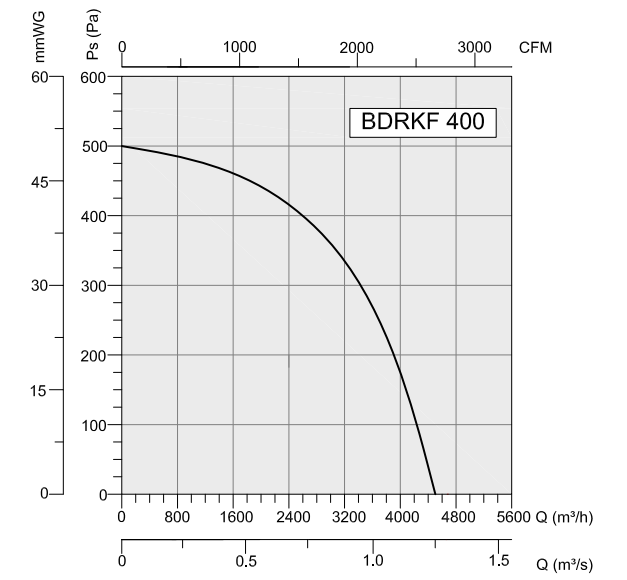
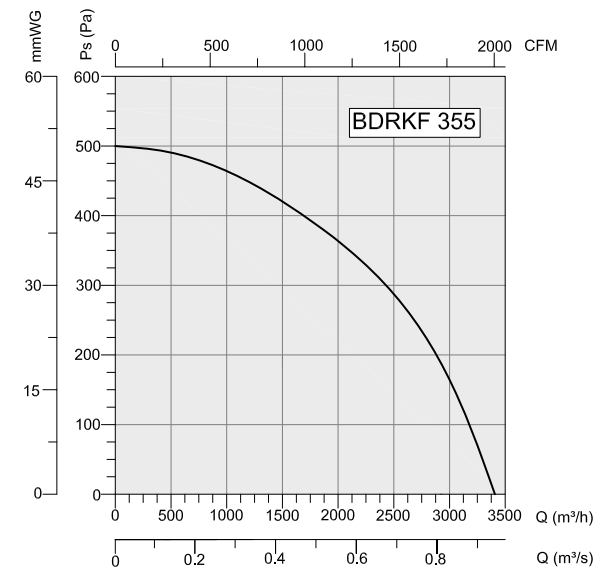
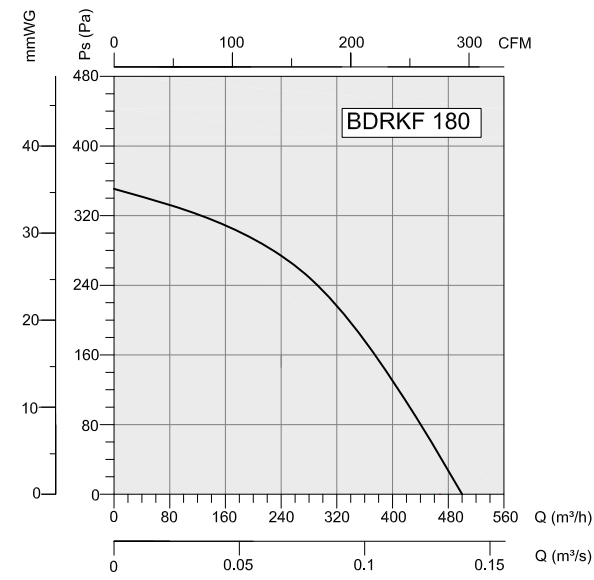
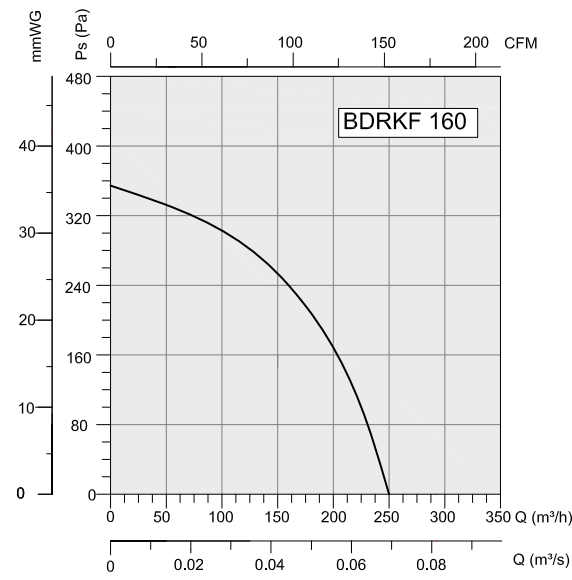
G diameter is variable according to motor stator height.



TYPE	A	B	C	D	E	F	G	H	J	K	L	M	N
BDRKF 315	316	217	209	102	102	141	168	102	74	114	89,5	M6	M5
BDRKF 355	356	168	243	102	102	113	172	102	74	114	89,5	M6	M5
BDRKF 400	404	244	284	137,5	112	158	234	115	105	155	122	M6	M5
BDRKF 450	455	317	295	137,5	125	220	224	141	105	155	122	M6	M5
BDRKF 500	505	302	354	177,5	140	220	249	159,5	140	210	161,5	M10	M8
BDRKF 560	565	366	395	177,5	160	242	269	185,5	140	210	161,5	M10	M8

G diameter is variable according to motor stator height.

TYPE	VOLTAGE	FREQUENCY	POWER	CAPACITOR	SPEED	AIR FLOW	SOUND PRESSURE LEVEL	WEIGHT
	V	Hz	W	(µF)	rpm	m <sup>3</sup> /h	dB(A)	kg
BDRKF 160	230	50	60	-	2580	250	44	1.4
BDRKF 180	230	50	80	-	2450	500	52	1.8
BDRKF 225	230	50	110	-	2550	1000	54	2.1
BDRKF 250	230	50	140	-	2550	1250	53	2.6
BDRKF 280	230	50	200	-	2545	1900	55	3.1
BDRKF 315	230	50	160	-	1400	2800	53	3.8
BDRKF 355	230	50	200	-	1400	3400	55	4.6
BDRKF 400	230	50	380	-	1400	4500	60	10
BDRKF 450	230	50	630	-	1400	5900	62	15
BDRKF 500	380	50	880	-	1375	8000	64	21
BDRKF 560	380	50	1450	-	1325	10000	66	27



DUCT FANS

ROOF FANS

AXIAL FANS

RADIAL FANS

JET FANS

PLASTIC FANS

VENTILATORS

ACCESSORIES