

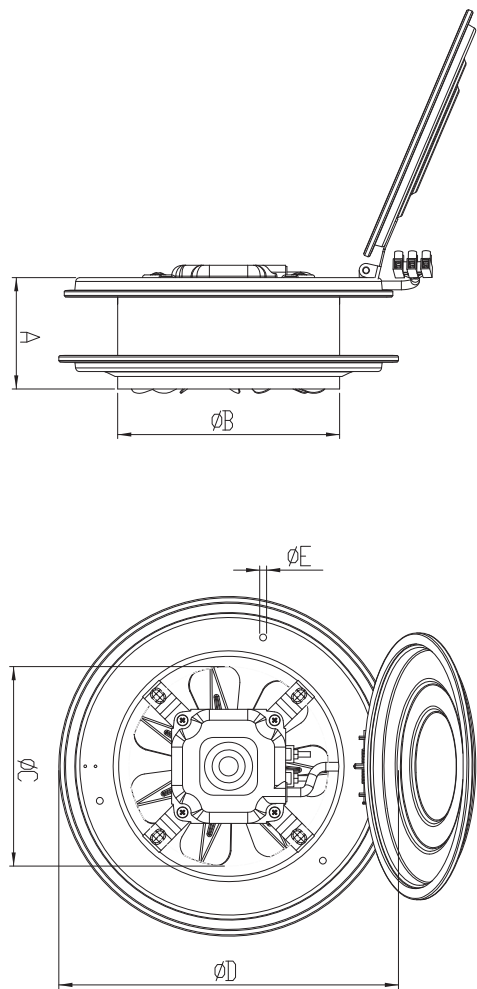


BK

AC AXIAL FANS Lid Option

Provides a strong air circulation in silence with the ideal vane angels. Can be mounted easily to windows and walls. With it's lid, it is not effected from outer environmental factors when the fan is out of order.

Technical Drawing



- MATERIAL** : The housing is made of electrostatic powder coated sheet steel, impeller is made of aluminium.
- INSULATION CLASS** : Class B
- DIRECTIVE** : EN 60335-1, EN 60335-2-80
- SPEED CONTROL** : Speed can be adjusted using an optional controller.
- APPLICATION AREAS** : Kitchens, bathrooms, offices, etc. for taking polluted air, smoke and undesired smells out.

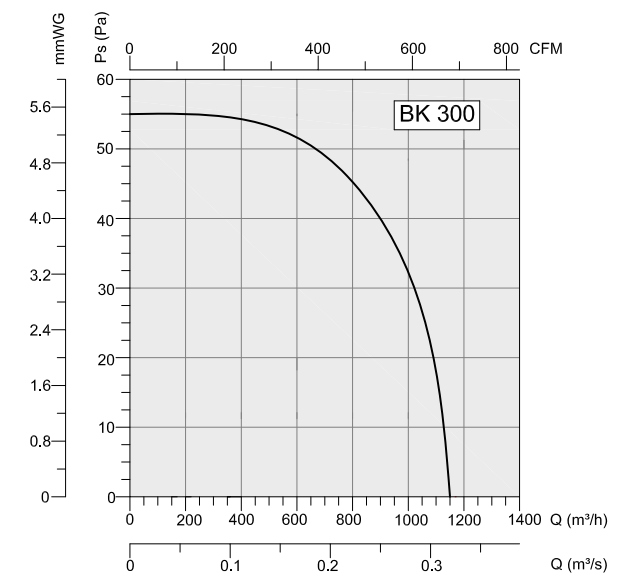
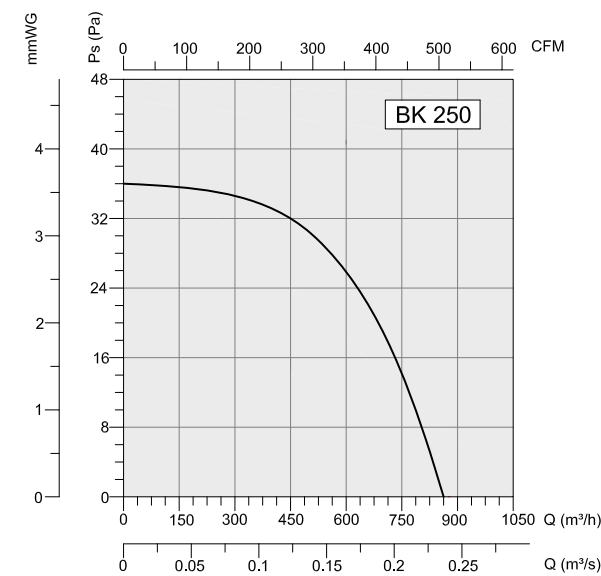
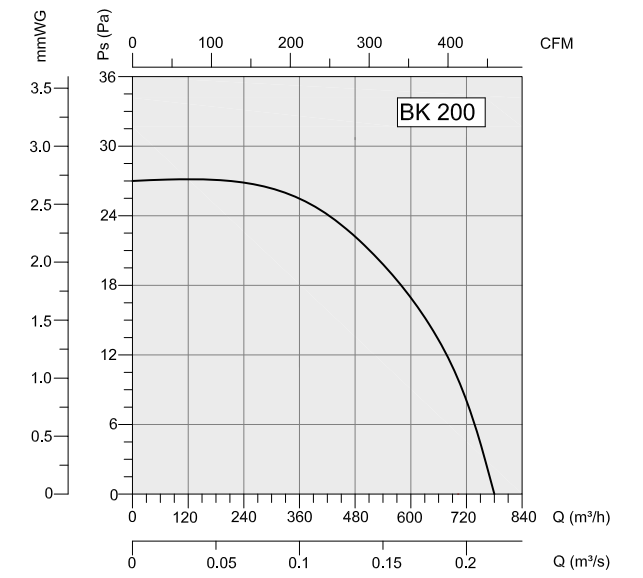
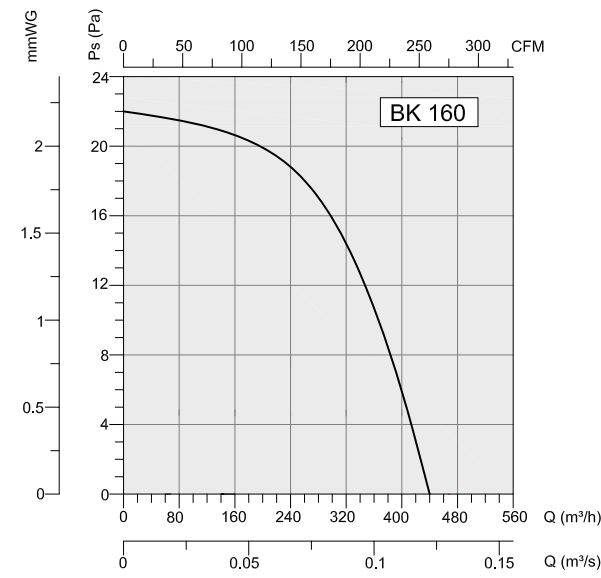
Accessories



BSC

TYPE	A	B	C	D	E
BK 160	80	162	148	236	5
BK 200	102	202	178	282	5
BK 250	102	248	234	332	5
BK 300	102	298	284	380	5

Dimensions are in (mm)



TYPE	VOLTAGE	FREQUENCY	POWER	CAPACITOR	SPEED	AIR FLOW	SOUND PRESSURE LEVEL	WEIGHT
	V	Hz	W	(µF)	rpm	m³/h	dB(A)	kg
BK 160	230	50	30	-	1325	450	44	2
BK 200	230	50	30	-	1250	780	46	2.25
BK 250	230	50	40	-	1330	890	49	2.65
BK 300	230	50	49	-	1380	1150	52	3.1