

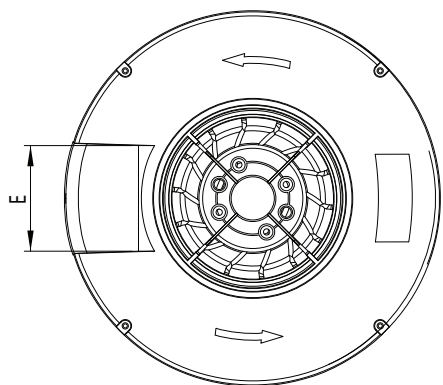
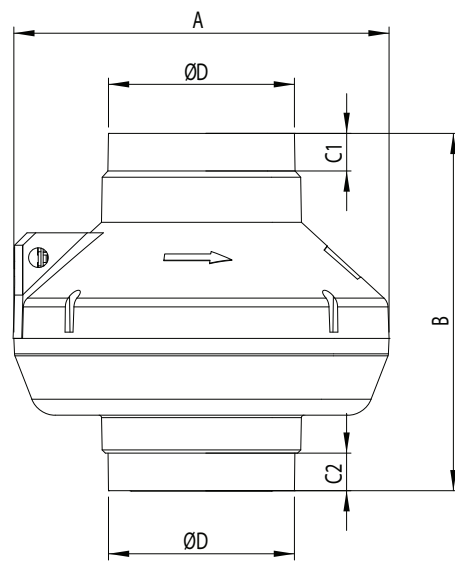


BPX

AC IN LINE DUCT FAN
Plastic Housing

Straight airflow and easy installation - with the high pressure stability, low noise level and high efficiency of centrifugal fans. Both sides of the BPX fan should be fitted into the tube and can be fixed with fastening clamps. Fans can be performed in any mounting position.

Technical Drawing



- MATERIAL** : The housing is made of plastic; Backward curved impeller is made of galvanized sheet metal. BPX is suitable for fitting both 150mm and 160mm duct diameter.
- INSULATION CLASS** : Class B
- DIRECTIVE** : Complying with EN 60335-1, EN 60335-2-80
- SPEED CONTROL** : Speed can be adjusted using an optional controller.
- APPLICATION AREAS** : For industrial and constructional applications, in factories, hospitals, night clubs, offices, kitchens, bathrooms, theaters, acidic environments, condominiums, restaurants, etc.

Accessories



BSC BYKS BYH BYEB

TYPE	A	B	C1	C2	ØD	E
BPX 150	302	287	30	30	149	85

Dimensions are in (mm)

TYPE	VOLTAGE V	FREQUENCY Hz	POWER W	CAPACITOR (µF)	SPEED rpm	AIR FLOW m ³ /h	SOUND PRESSURE LEVEL dB(A)	WEIGHT kg
BPX 150	230	50	85	2.5	2350	520	56	2.4

