



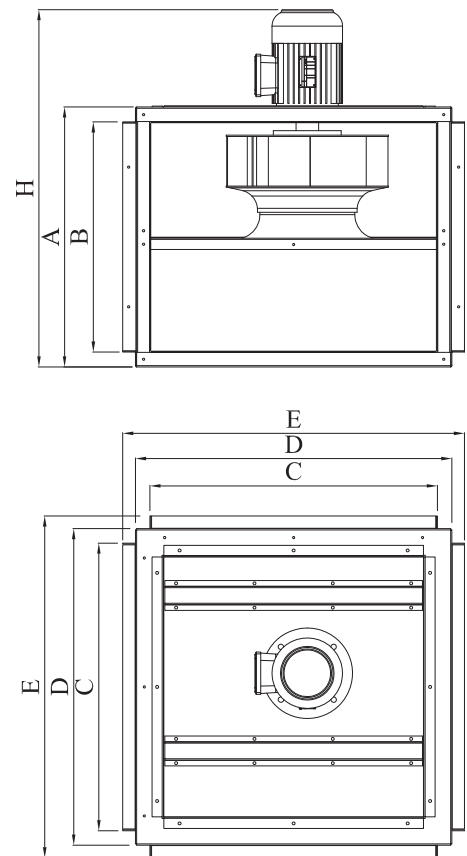
BYDF

AC RECTANGULAR SMOKE EXHAUST FANS
Backward Curved

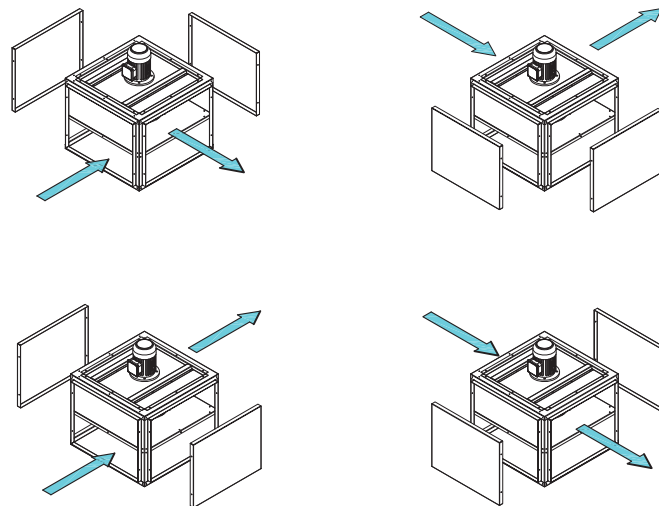
120°C - 400°C/2h

Both inlet and outlet connections, as well as configuration can be changed for each model of BYDF series. Due to its unique structure, installation is being made much easier and flexible. 400C heated smoke can be vented out for 2 hours.

Technical Drawing



- MATERIAL** : Housing is made of galvanized sheet metal, backward inclined impeller is made of sheet steel.
- INSULATION CLASS** : Class F
- DIRECTIVE** : EN 60335-1, EN 60335-2-80, EN 12101-3
- SPEED CONTROL** : Speed can be adjusted using an optional controller.
- APPLICATION AREAS** : Commercial kitchens' and autoparks' ventilation systems are included to wide application areas.



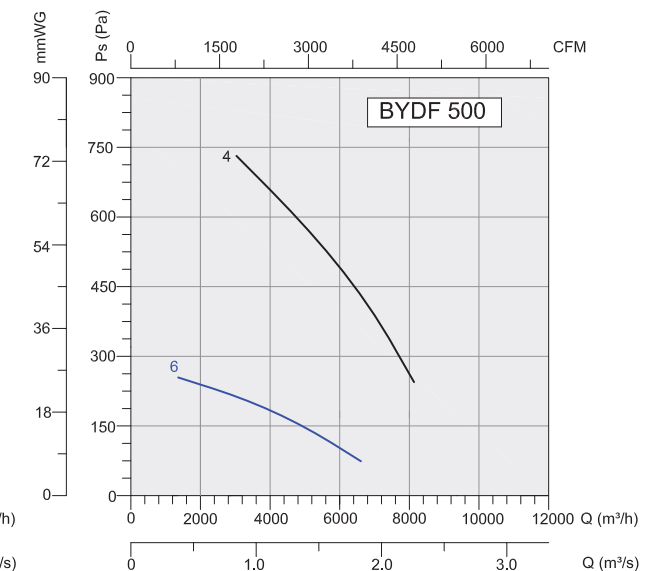
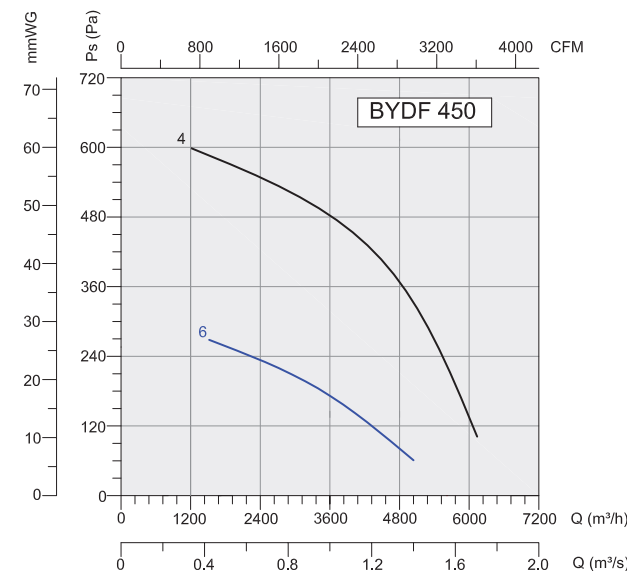
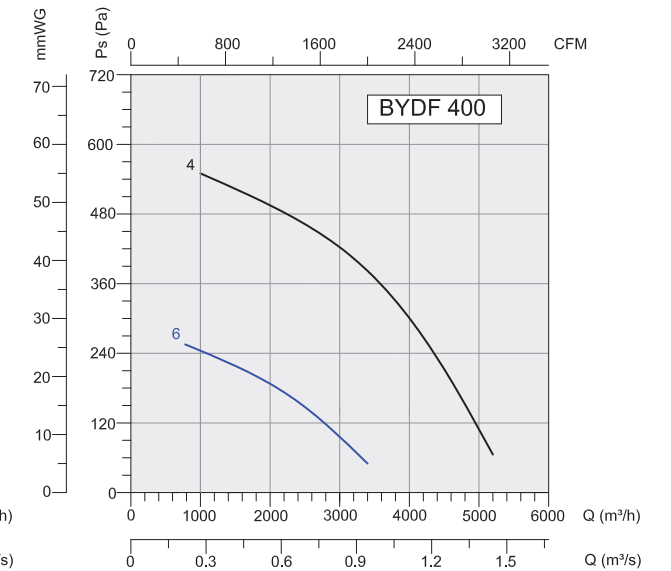
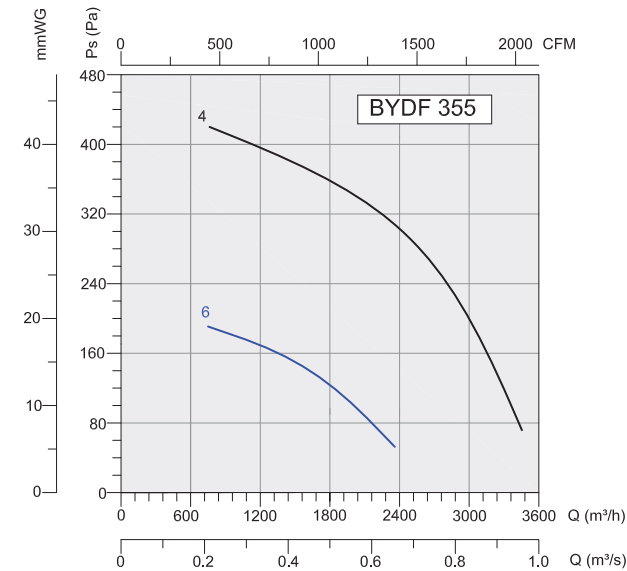
Accessories



BSC-F BDEB BDH BDKS

TYPE	A	B	C	D	E	H
BYDF 355	575	510	635	700	755	790
BYDF 400	625	560	685	750	805	840
BYDF 450	675	610	780	845	900	900
BYDF 500	745	680	850	915	970	1000

Dimensions are in (mm)



TYPE	VOLTAGE	POLE	FREQUENCY	POWER	SPEED	AIR FLOW	PRESSURE	WEIGHT
	V		Hz	Kw	rpm	m³/h	Pa	kg
BYDF 355	220/380	4P	50	0,55	1450	3000	200	52
BYDF 355	220/380	6P	50	0,25	915	2100	80	49
BYDF 355	220/380	6-4P	50	0,2/0,6	915/1450	2100/3000	80/200	54
BYDF 400	220/380	4P	50	0,75	1450	4000	300	65
BYDF 400	220/380	6P	50	0,25	915	2500	150	59
BYDF 400	220/380	6-4P	50	0,3/0,9	915/1450	2500/4000	150/300	67
BYDF 450	220/380	4P	50	1,1	1450	5000	300	77
BYDF 450	220/380	6P	50	0,37	915	3150	180	70
BYDF 450	220/380	6-4P	50	0,37/1,1	915/1450	3150/5000	180/300	77
BYDF 500	220/380	4P	50	1,5	1450	7000	400	95
BYDF 500	220/380	6P	50	0,37	915	4400	150	85
BYDF 500	220/380	6-4P	50	0,6/1,6	915/1450	4400/7000	150/400	98