



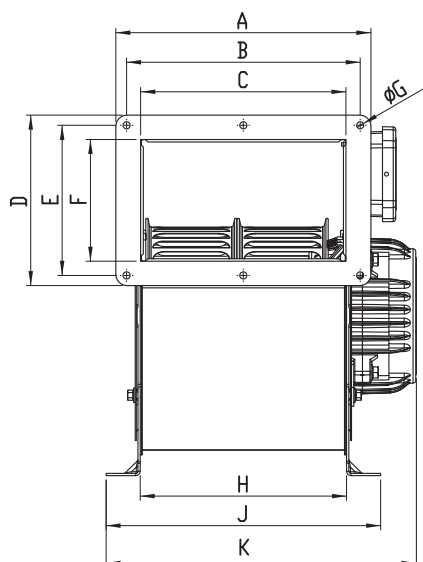
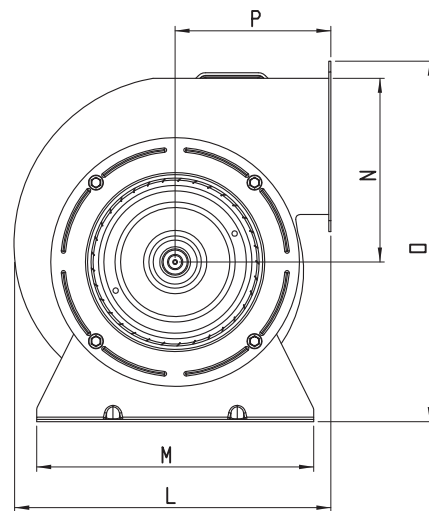
# ÇES

## AC CENTRIFUGAL BLOWERS

### Double Inlet

Double Inlet CES fan have high functional performance used in wide application areas.

### Technical Drawing

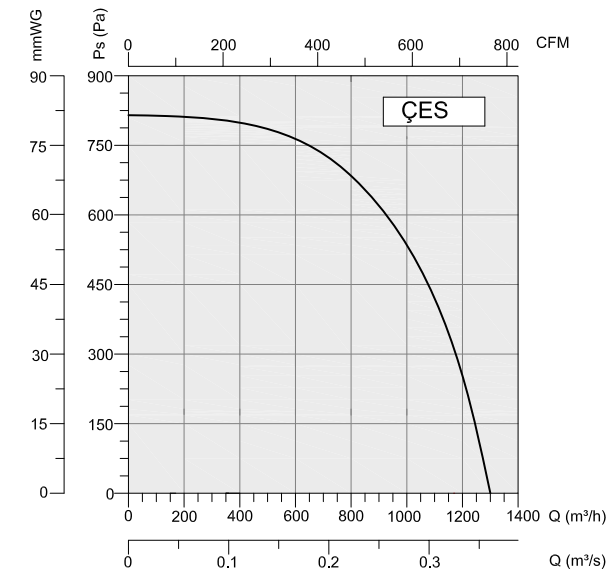


- MATERIAL** : Housing is made of electrostatic powder coated sheet metal, forward curved impeller is made of galvanized sheet metal.
- INSULATION CLASS** : Class B
- DIRECTIVE** : EN 60335-1, EN 60335-2-80
- SPEED CONTROL** : Speed can be adjusted using an optional controller.
- APPLICATION AREAS** : Green houses, factories, depots, dyehouses, shopping centers, workshops(plants) etc. Big volumed places to ventilate.

TYPE	VOLTAGE V	FREQUENCY Hz	POWER W	CAPACITOR (µF)	SPEED rpm	AIR FLOW m³/h	SOUND PRESSURE LEVEL dB(A)	WEIGHT kg
ÇES	230	50	217	8	1325	1300	44	9.7

TYPE	A	B	C	D	E	F	G	H	J	K	L	M	N	O	P
ÇES	232	213	187	155	137	111	7	188	250	282	288	252	167	328	142

Dimensions are in (mm)



### Accessories

