

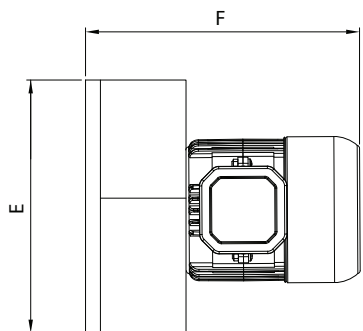
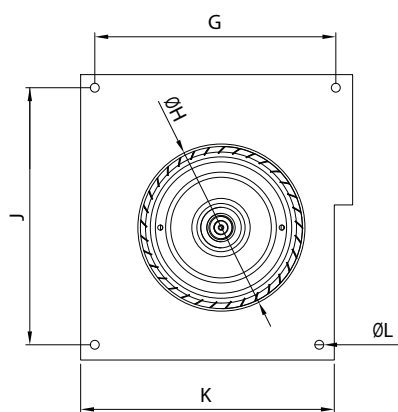
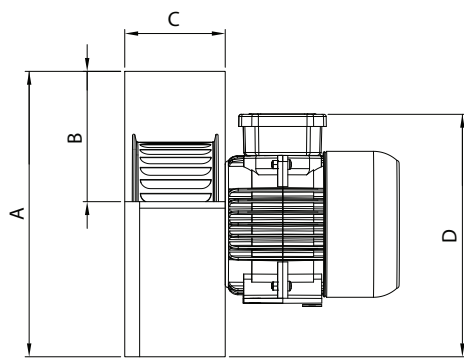


KMS - KTS

AC CENTRIFUGAL FANS
Single Inlet

Due to motor location is out of airflow, higher temperature air can be transferred. Direct coupled motor structure (Single Phase / Three Phase)

Technical Drawing



- MATERIAL** : Housing is made of electrostatic powder coated sheet steel, forward curved impeller is galvanized sheet metal.
- INSULATION CLASS** : Class B
- DIRECTIVE** : EN 60335-1, EN 60335-2-80
- SPEED CONTROL** : Speed can be adjusted using an optional controller.
- APPLICATION AREAS** : Factories, steam optioned iron machines, packaging machines, olive election machines, ventilation of small areas etc.

Accessories



TYPE	VOLTAGE	FREQUENCY	POWER	SPEED	AIR FLOW	WEIGHT
	V	Hz	W	rpm	m ³ /h	Kg
KMS	230	50	460	2750	1500	7.5
KTS	380	50	478	2843	1550	7.5

TYPE	A	B	C	D	E	F	G	H	J	K	L
KMS-KTS	278	114	106	231	248	282	198	178	235	238	8

Dimensions are in (mm)

