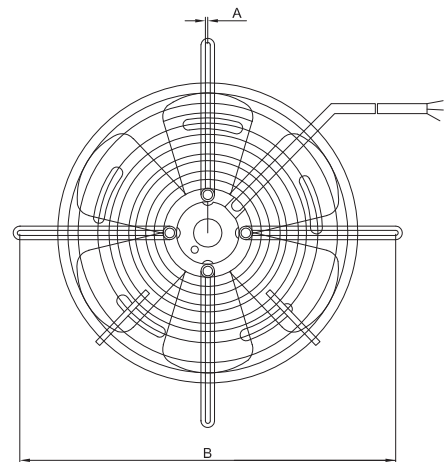
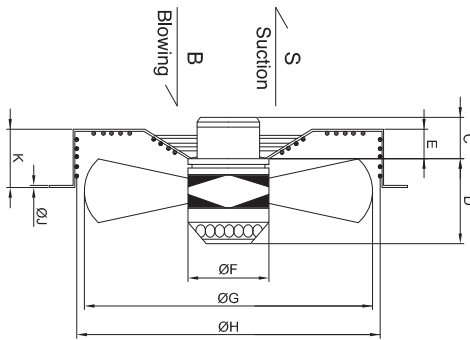


4M

AC COOLING FANS Single Phase

With suction and blowing types, 4M cooling fans work trouble-free at high performance.

Technical Drawing



- MATERIAL** : Casing is made of electrostatic (black) powder coated sheet steel; impeller is made of sheet steel with an aerodynamic structure and connected to the motor.
- ROTATION** : CW (Clockwise)
- INSULATION CLASS** : Class B & Class F
- DIRECTIVE** : EN 60335-1, EN 60335-2-80
- APPLICATION AREAS** : Cooling units, laboratories, cooling towers, cold stores etc.

TYPE	VOLTAGE V	FREQUENCY Hz	POWER W	CAPACITOR (µF)	SPEED rpm	AIR FLOW m³/h	SOUND PRES-SURE LEVEL dB(A)	WEIGHT kg
4M 250B/S	230	50	60	3	1370	900	50	2.8
4M 300B/S	230	50	90	3	1370	1700	55	3.2
4M 350B/S	230	50	138	4	1370	2980	62	4.7
4M 400B/S	230	50	180	6	1350	4000	67	6.1
4M 450B/S	230	50	250	8	1380	5680	71	6.9
4M 500B/S	230	50	420	12	1320	6500	72	9.5

TYPE	A	B	C	D	E	F	G	H	J	K
4M 250	7	310	55	75	30	92	250	275	3	80
4M 300	7	360	55	82	30	92	300	322	4	80
4M 350	9	422	55	108	30	102	350	375	5	80
4M 400	9	470	55	121	30	102	391	422	5	90
4M 450	9	522	55	133	30	102	446	475	5	90
4M 500	10	567	65	127	30	138	449	525	6	90

Dimensions are in (mm)

