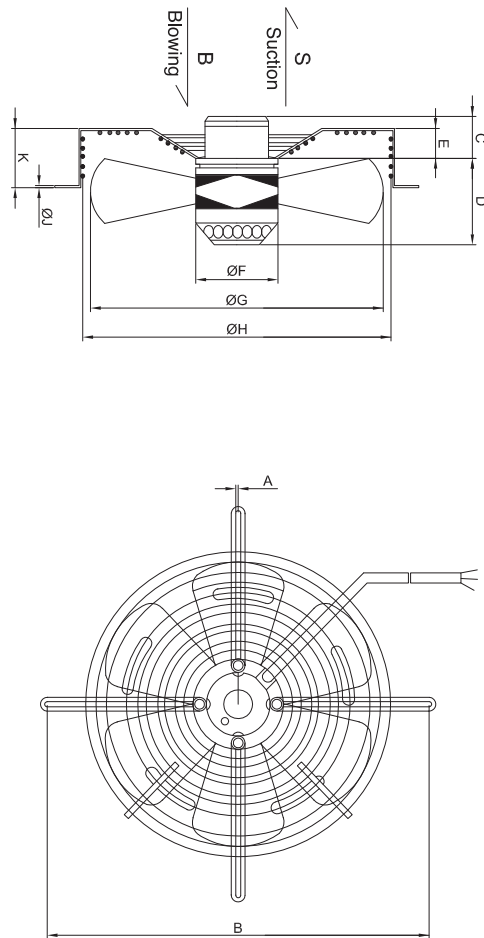


4T

AC COOLING FANS Three Phase

With suction and blowing types, 4T cooling fans work trouble-free at high performance.

Technical Drawing

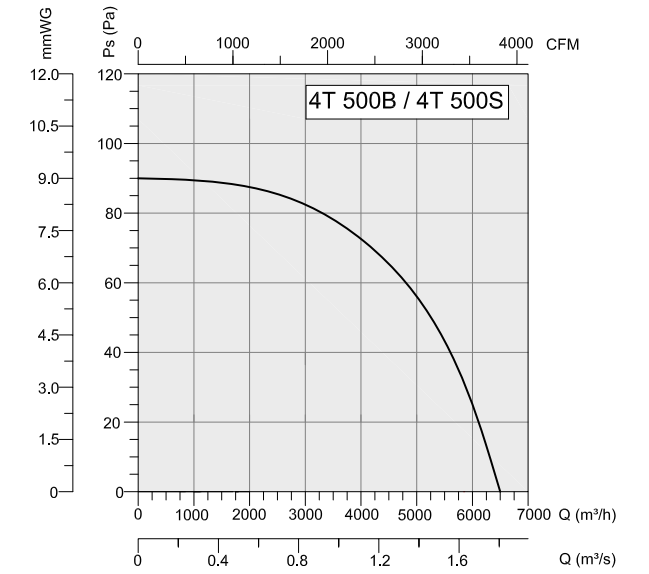
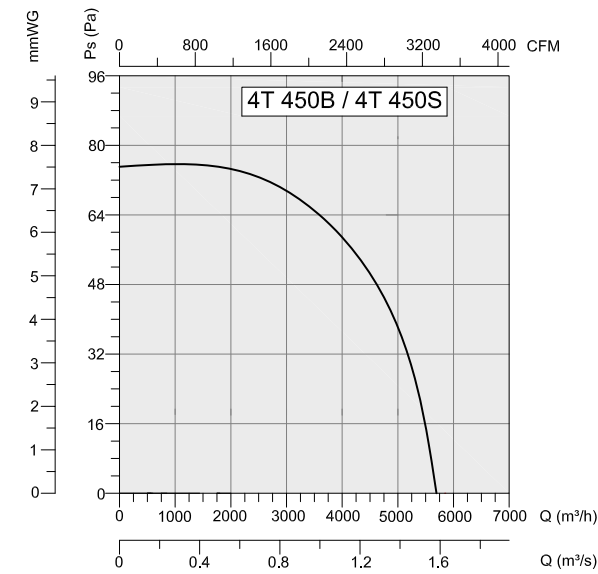
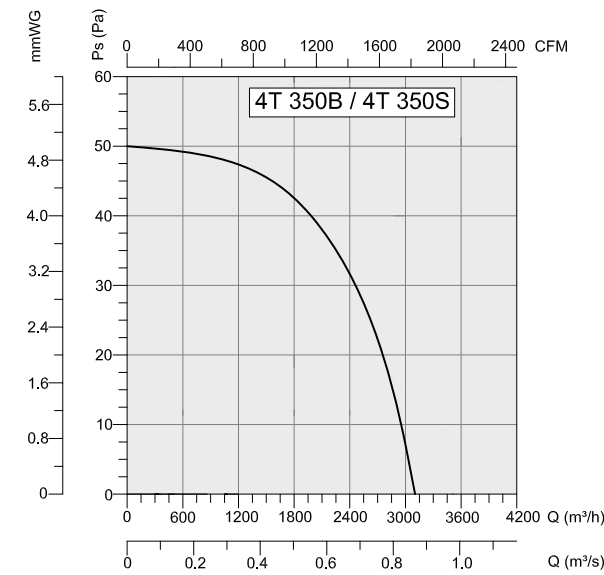
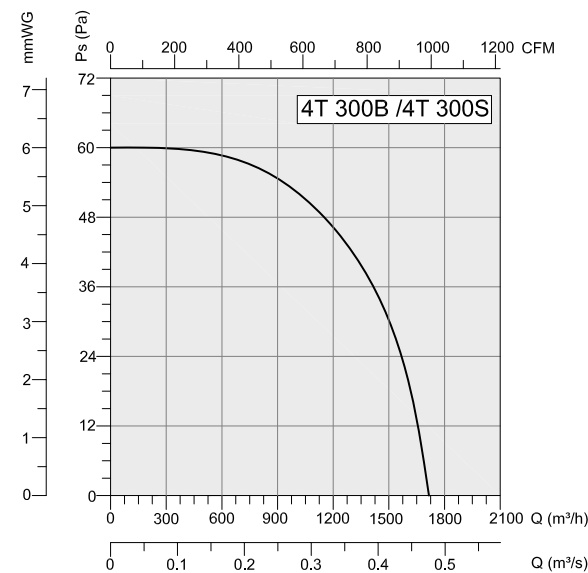


MATERIAL

: Casing is made of electrostatic (black) powder coated sheet steel; impeller is made of sheet steel with an aerodynamic structure and connected to the motor.

ROTATION INSULATION CLASS DIRECTIVE APPLICATION AREAS

: CW (Clockwise)
: Class F
: EN 60335-1, EN 60335-2-80
: Cooling units, laboratories, residents, industrial and commercial areas, cooling towers, shopping centers, cold stores etc.



TYPE	A	B	C	D	E	F	G	H	J	K
300	7	360	55	82	30	92	300	322	4	80
350	9	422	55	108	30	102	350	375	5	80
400	9	470	55	121	30	102	391	422	5	90
450	9	522	55	133	30	102	446	475	5	90
500	10	567	65	127	30	138	449	525	6	90

TYPE	VOLTAGE	FREQUENCY	POWER	CAPACITOR	SPEED	AIR FLOW	SOUND PRESSURE LEVEL	WEIGHT
	V	Hz	W	(μF)	rpm	m³/h	dB(A)	kg
4T 300B	380	50	95	-	1400	1700	55	3.2
4T 300S	380	50	95	-	1400	1700	55	3.2
4T 350B	380	50	145	-	1390	3100	62	4.7
4T 350S	380	50	145	-	1390	3100	62	4.7
4T 400B	380	50	190	-	1380	4000	67	6.1
4T 400S	380	50	190	-	1380	4000	67	6.1
4T 450B	380	50	250	-	1370	5680	71	6.9
4T 450S	380	50	250	-	1370	5680	71	6.9
4T 500B	380	50	450	-	1320	6580	72	9.5
4T 500S	380	50	450	-	1320	6580	72	9.5

Dimensions are in (mm)