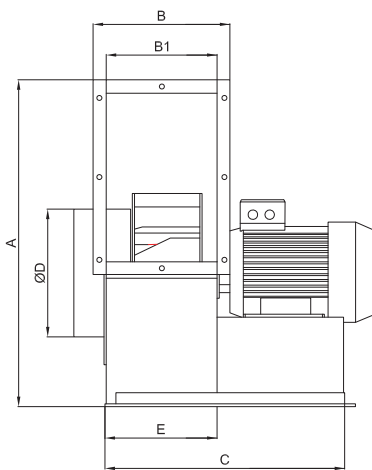
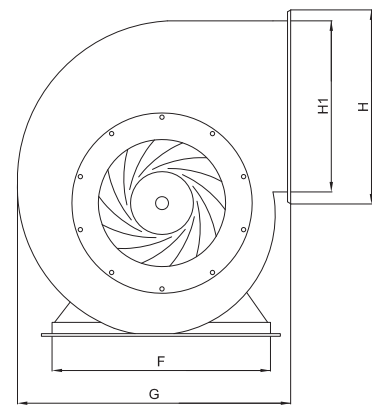


ALÇ

AC LOW PRESSURE CENTRIFUGAL FANS

More air with low static pressure.
 Air flow: 1500 – 12000 m³/h
 Pressure: 40 – 150 mmWC
 Directly coupled motor.(single-phase, three-phase)
 Due to it's special screwing feature, plate can be turned in any blowing position.

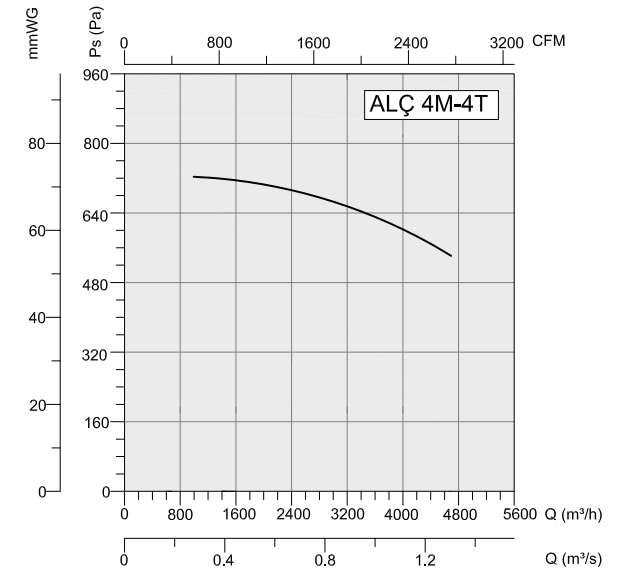
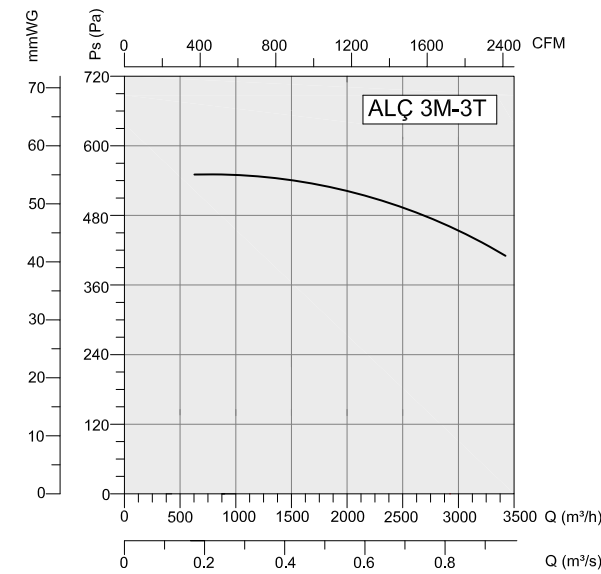
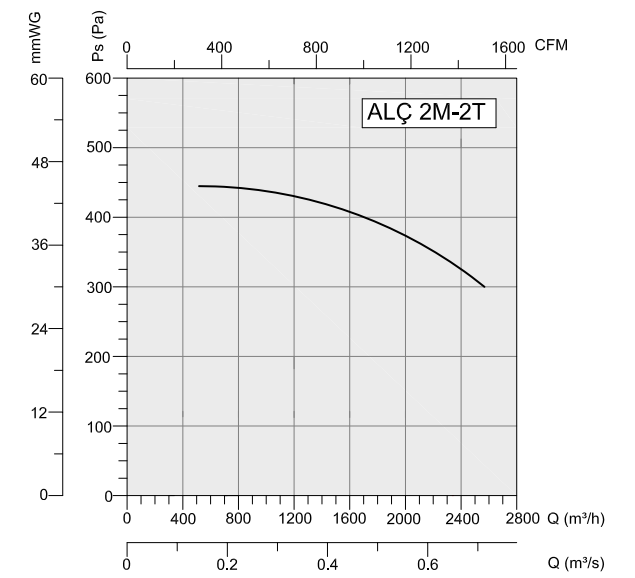
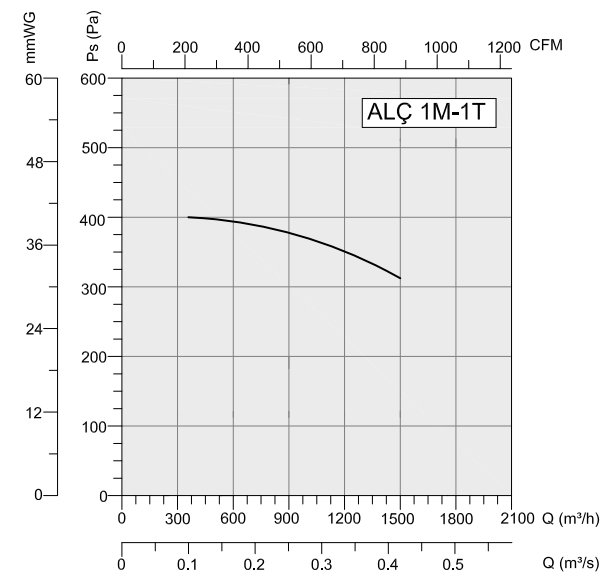
Technical Drawing



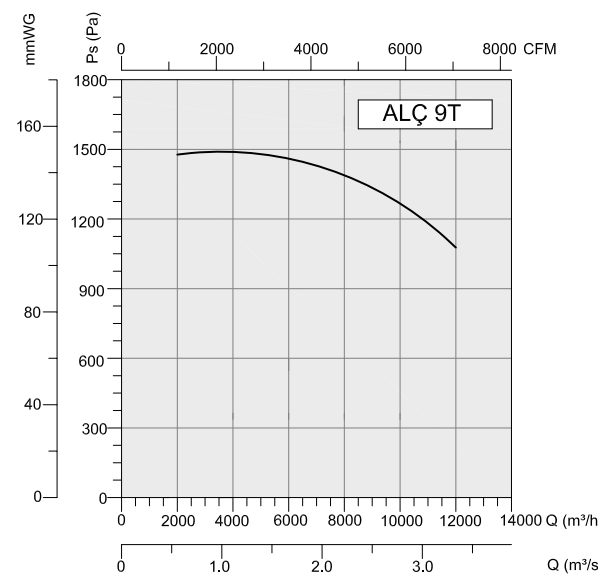
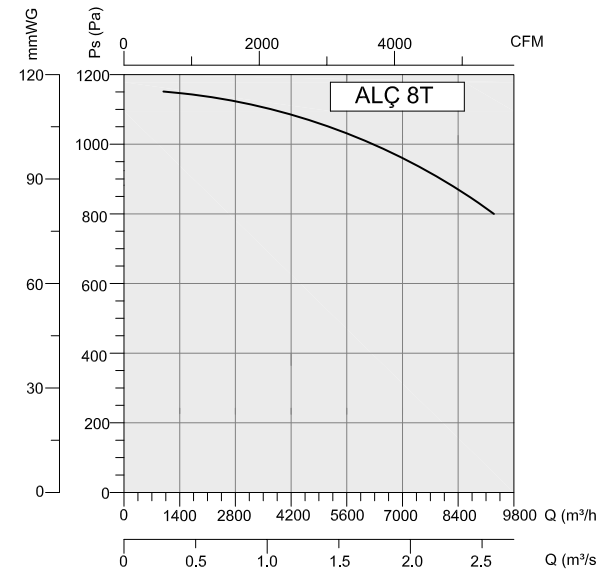
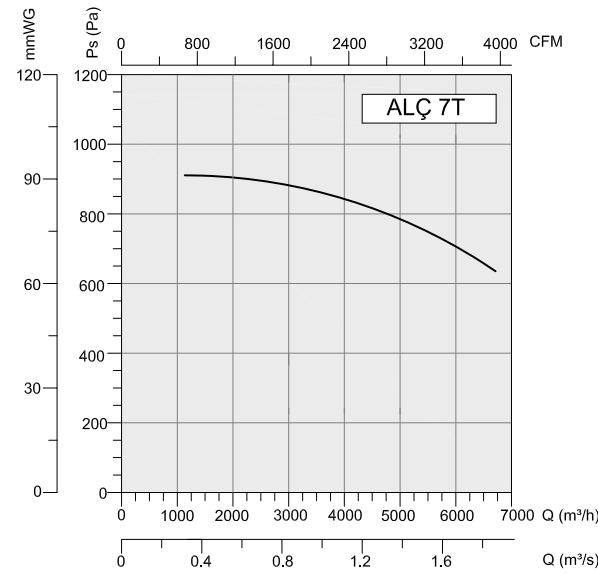
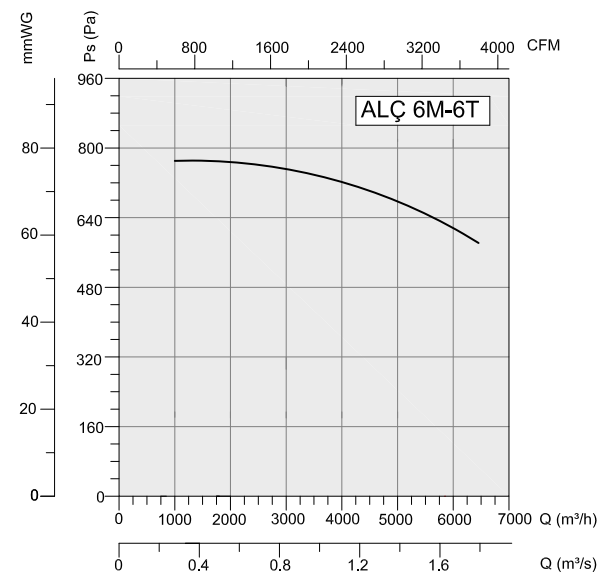
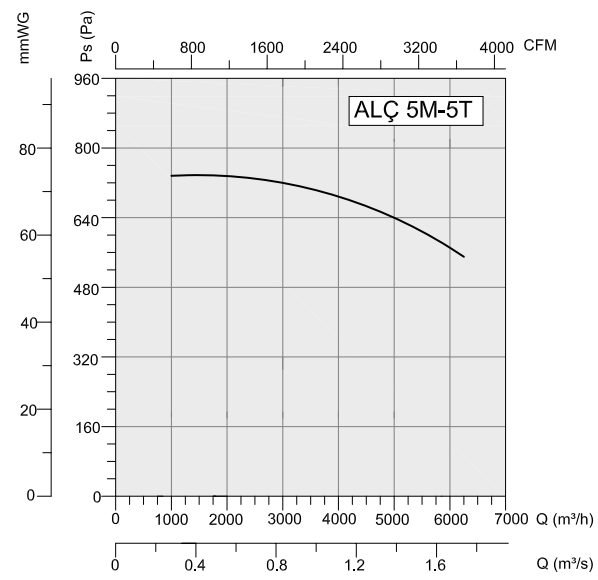
- MATERIAL** : Casing is made of electrostatic powder sheet metal, impeller is made of forward curved galvanized sheet metal.
- INSULATION CLASS** : Class F
- DIRECTIVE** : EN 60335-1, EN 60335-2-80
- SPEED CONTROL** : Speed can be adjusted using an optional controller.
- APPLICATION AREAS** : Various Ventilation, heating and cooling applications, where high volume of airflow needed at minimum pressure.

TYPE	A	B	B1	C	D	E	F	G	H	H1
ALÇ 1	500	215	160	390	180	160	300	410	250	200
ALÇ 2	580	235	180	410	200	180	360	510	310	260
ALÇ 3	660	260	200	490	240	200	410	530	320	270
ALÇ 4	690	270	220	510	260	220	410	600	340	290
ALÇ 5	730	280	230	600	300	230	475	630	370	320
ALÇ 6	730	300	250	620	320	250	475	630	370	320
ALÇ 7	790	310	250	650	320	250	560	660	430	380
ALÇ 8	870	335	280	730	330	280	600	780	490	440
ALÇ 9	1050	410	350	840	350	350	700	880	600	540

Dimensions are in (mm)



TYPE	VOLTAGE	FREQUENCY	POWER	SPEED	AIR FLOW	STATIC PRESSURE	WEIGHT
	V	Hz	Kw	rpm	m ³ /h	Pa	kg
ALÇ 1M-1T	230/380	50	0.37	1400	1500	400	24
ALÇ 2M-2T	230/380	50	0.75	1400	2500	450	34
ALÇ 3M-3T	230/380	50	1.1	1400	3500	600	42
ALÇ 4M-4T	230/380	50	1.5	1400	4500	700	47
ALÇ 5M-5T	230/380	50	2.2	1400	6000	750	58
ALÇ 6M-6T	230/380	50	3	1400	6500	800	60
ALÇ 7T	380	50	4	1400	7000	950	67
ALÇ 8T	380	50	5.5	1400	9000	1200	106
ALÇ 9T	380	50	7.5	1400	12000	1500	134



SUCTION - BLOWING DIRECTIONS

