

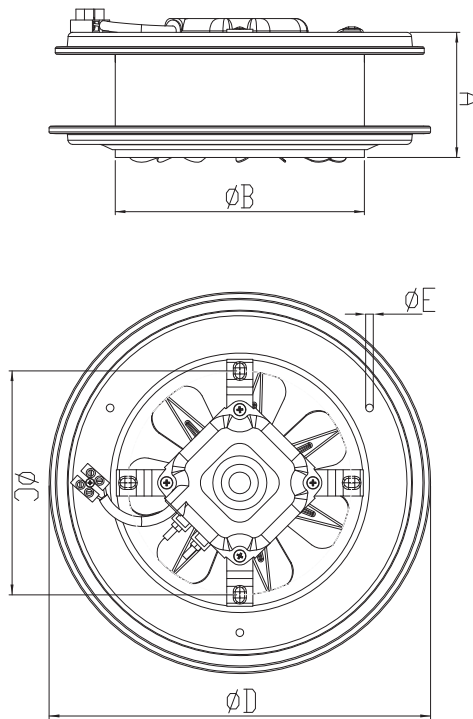


BB

AC AXIAL FANS

Provides a strong air circulation in silence with the ideal vane angels. Can be mounted easily to windows and walls.

Technical Drawing



- MATERIAL** : The housing is made of electrostatic powder coated sheet steel, impeller is made of aluminum.
- INSULATION CLASS** : Class B
- DIRECTIVE** : EN 60335-1, EN 60335-2-80
- SPEED CONTROL** : Speed can be adjusted using an optional controller.
- APPLICATION AREAS** : Kitchens, bathrooms, offices, etc. for taking polluted air, smoke and undesired smells out.

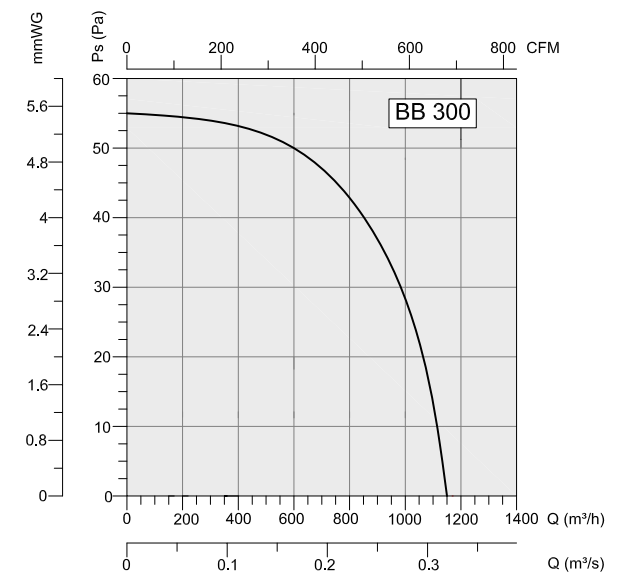
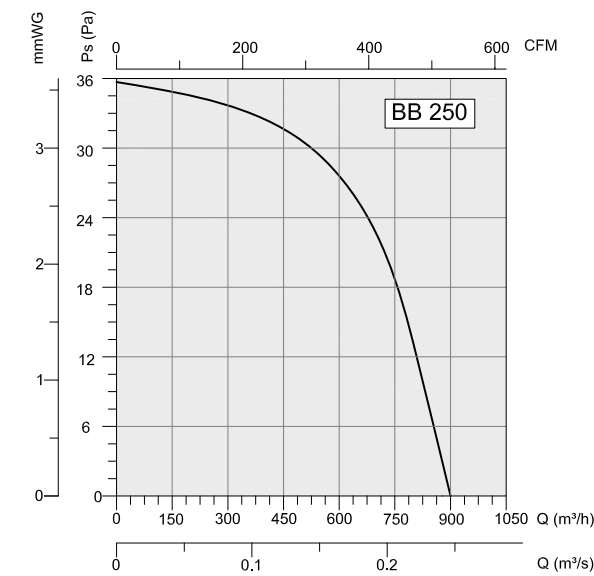
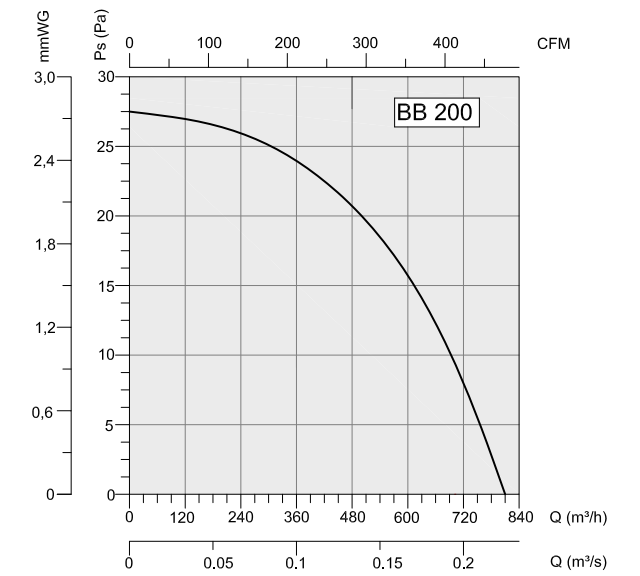
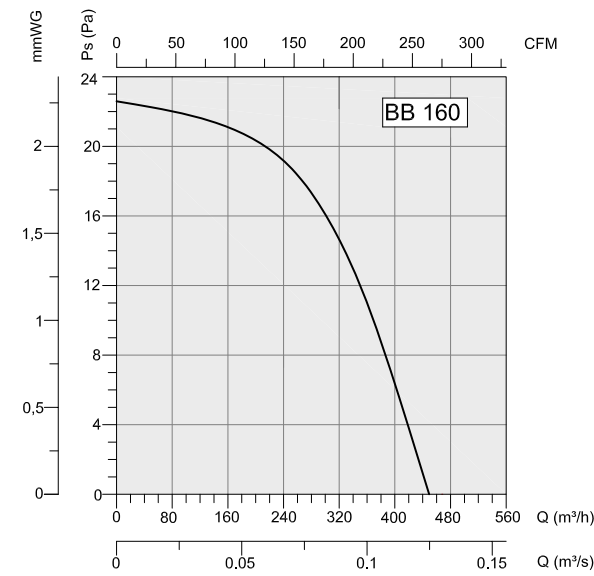
Accessories



BSC

TYPE	A	B	C	D	E
BB 160	80	162	148	236	5
BB 200	102	202	178	282	5
BB 250	102	248	234	332	5
BB 300	102	298	284	380	5

Dimensions are in (mm)



TYPE	VOLTAGE	FREQUENCY	POWER	CAPACITOR	SPEED	AIR FLOW	SOUND PRESSURE LEVEL	WEIGHT
	V	Hz	W	(µF)	rpm	m³/h	dB(A)	kg
BB 160	230	50	30	-	1325	450	44	2
BB 200	230	50	30	-	1250	780	46	2.25
BB 250	230	50	40	-	1330	890	49	2.65
BB 300	230	50	49	-	1380	1150	52	3.1