



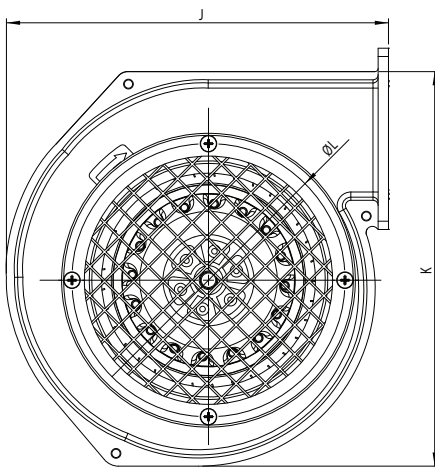
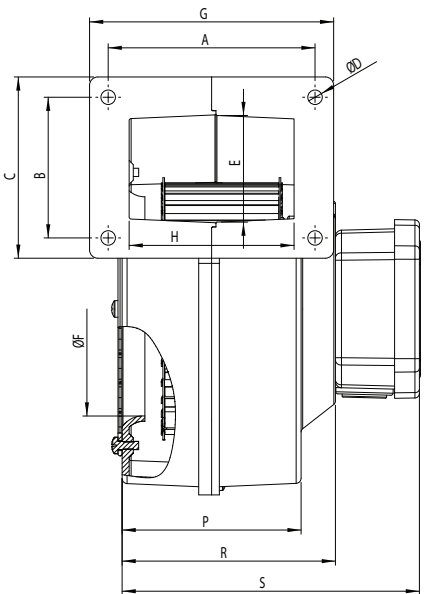
# BDRAS

## AC CENTRIFUGAL BLOWERS

### Aluminum Body

Low noise, resistant housing structure, high pressure. Single Inlet BDRAS fans compact structure benefits space saving for various cooling and ventilation applications.

### Technical Drawing

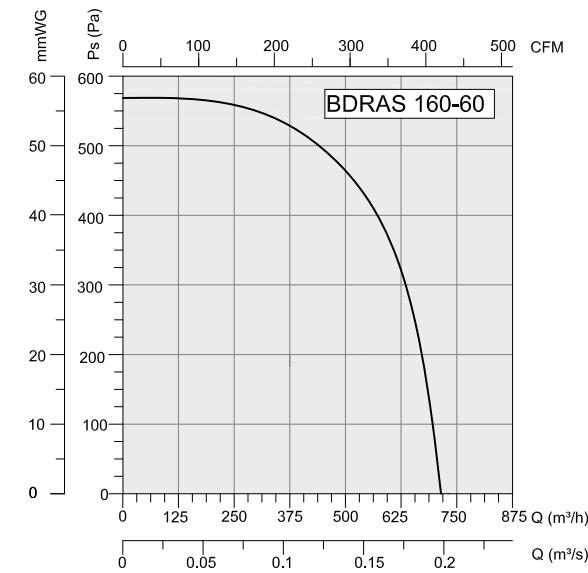
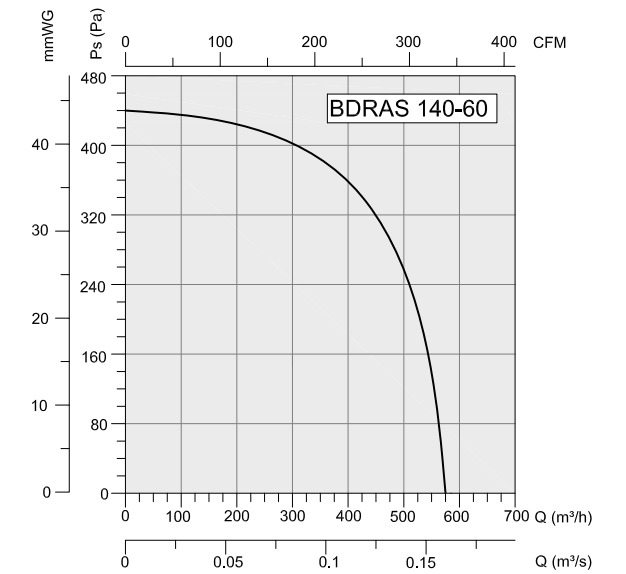
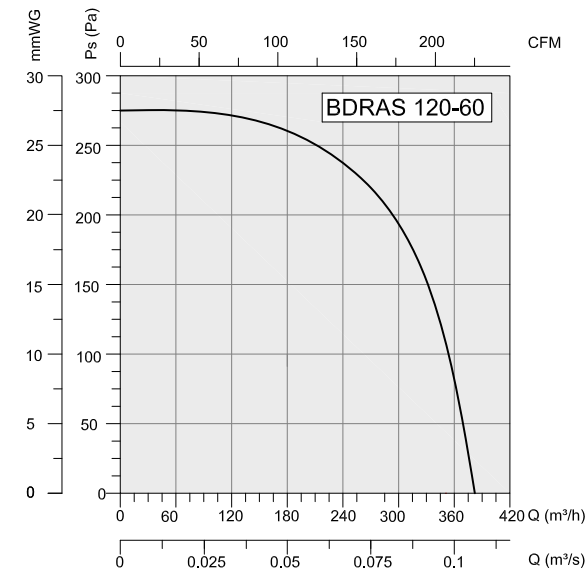


- MATERIAL** : Casing is made of Aluminium, impeller is forward curved and made of galvanized sheet iron.
- INSULATION CLASS** : Class B
- DIRECTIVE** : EN 60335-1, EN 60335-2-80
- SPEED CONTROL** : Speed can be adjusted using an optional controller. (BSC-1 / BSC-2)
- APPLICATION AREAS** : Perfect for industrial and commercial applications, especially local cooling applications and heating systems. Machines cooling, boilers, yacht air conditioning, DC motor cooling, plastic machines, sock machines, electric board cooling, laboratories, residential and industrial areas etc.



| TYPE         | A   | B     | C   | D   | E  | F     | G     | H    | J   | K   | L     | M   | N  | O  | P   | R   | S   | U     |
|--------------|-----|-------|-----|-----|----|-------|-------|------|-----|-----|-------|-----|----|----|-----|-----|-----|-------|
| BDRAS 120-60 | 99  | 67.5  | 88  | 6.5 | 49 | 103.5 | 118.5 | 80   | 190 | 184 | 132   | 120 | 64 | 18 | 87  | 104 | 145 | 102   |
| BDRAS 140-60 | 123 | 85    | 123 | 8   | 78 | 110   | 153.5 | 79   | 197 | 203 | 144.5 | 140 | 71 | 25 | 100 | 110 | 151 | 124.5 |
| BDRAS 160-60 | 113 | 104.5 | 120 | 6.5 | 90 | 117.5 | 130   | 93.5 | 229 | 248 | 158   | 160 | 81 | 35 | 100 | N/A | 135 | 137   |

Dimensions are in (mm)



### Accessories



| TYPE         | VOLTAGE | FREQUENCY | POWER | CAPACITOR | SPEED | AIR FLOW | SOUND PRESSURE LEVEL | WEIGHT |
|--------------|---------|-----------|-------|-----------|-------|----------|----------------------|--------|
|              | V       | Hz        | W     | (µF)      | rpm   | m³/h     | dB(A)                | kg     |
| BDRAS 120-60 | 230     | 50        | 80    | 2.5       | 2450  | 380      | 60                   | 2.1    |
| BDRAS 140-60 | 230     | 50        | 140   | 4         | 2265  | 590      | 68                   | 2.9    |
| BDRAS 160-60 | 230     | 50        | 190   | 5         | 2100  | 720      | 72                   | 4.1    |