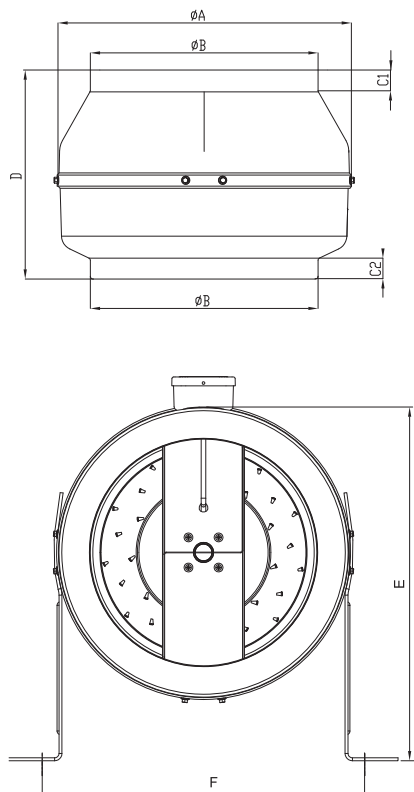


BDTX

AC CENTRIFUGAL IN LINE DUCT FANS Backward Curved

Straight airflow and easy installation - with the high pressure stability, low noise level and high efficiency. Both sides of the BDTX fans is suitable to fit into the centrifugal duct and can be fixed with fastening clamps. Fans can be performed in any mounting position.

Technical Drawing

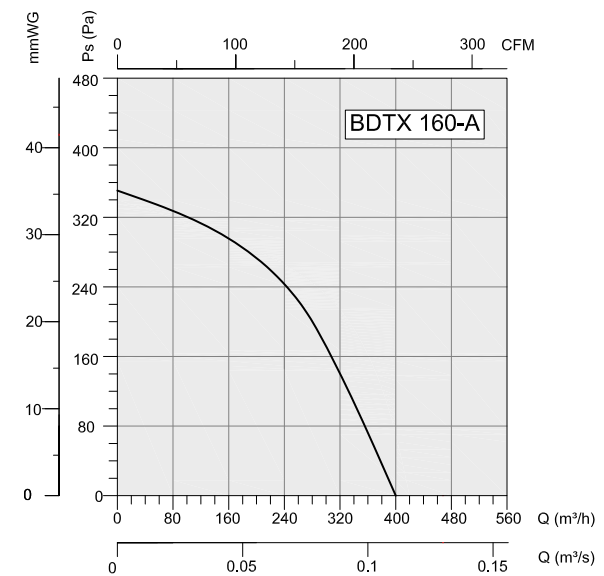
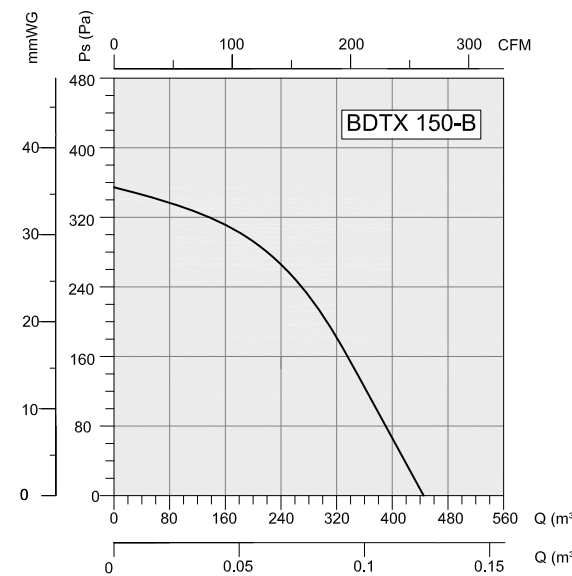
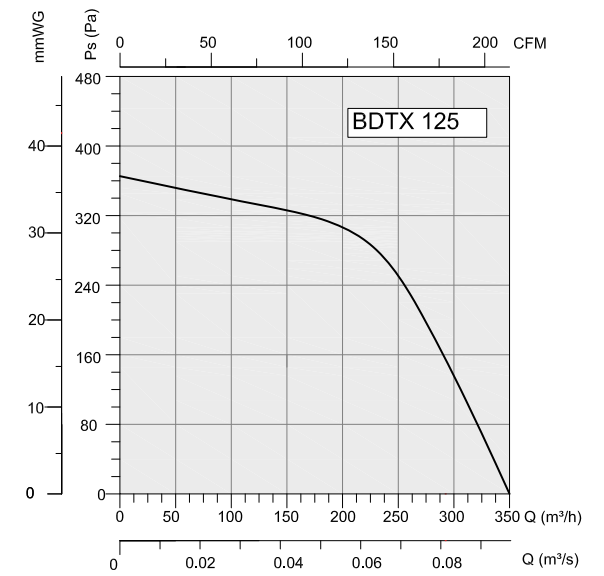
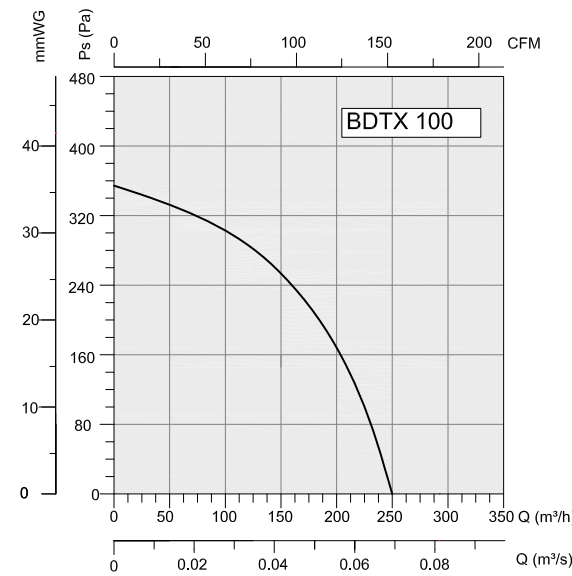


- MATERIAL** : The housing is made of electrostatic powder coated sheet iron, impeller is made of galvanized sheet metal. Housing forming is proceeded by stamps for proper fit.
- INSULATION CLASS** : Class B, Class F
- DIRECTIVE** : EN 60335-1, EN 60335-2-80
- PROTECTION OF MOTOR** : Thermal overload protection is available upon request. (Connector box- IP 55)
- SPEED CONTROL** : Speed can be adjusted using an optional controller.
- APPLICATION AREAS** : For industrial and constructional applications, in factories, hospitals, night clubs, offices, kitchens, bathrooms, theaters, condominiums, restaurants, etc.



TYPE	A	B	C1	C2	D	E	F
BDTX 100	245	97	22	22	197	273	268
BDTX 125	245	122	20	20	188	273	268
BDTX 150B	272	147	23	25	192	286	295
BDTX 160A	272	157	23	25	192	286	295
BDTX 200A	330	196	30	28	230	380	352
BDTX 200B	330	196	30	28	230	380	352
BDTX 250A	330	247	30	28	227	380	352
BDTX 250B	330	247	30	28	227	380	352
BDTX 315A	400	313	30	30	285	415	422
BDTX 315B	400	313	30	30	285	415	422
BDTX 355	400	352	30	30	378	415	422

Dimensions are in (mm)



TYPE	VOLTAGE	FREQUENCY	POWER	CAPACITOR	SPEED	AIR FLOW	SOUND PRESSURE LEVEL	WEIGHT
	V	Hz	W	(μF)	rpm	m ³ /h	dB(A)	kg
BDTX 100	230	50	60	2	2580	250	44	3.4
BDTX 125	230	50	80	2.5	2255	350	49	3.4
BDTX 150-B	230	50	85	2.5	2345	450	51	3.7
BDTX 160-A	230	50	80	2.5	2450	400	50	3.5
BDTX 200-A	230	50	85	2.5	2315	850	49	5.3
BDTX 200-B	230	50	110	4	2550	1000	51	5.6
BDTX 250-A	230	50	120	4	2550	1100	53	5.8
BDTX 250-B	230	50	140	5	2550	1250	54	6.3
BDTX 315-A	230	50	170	5	2400	1600	52	7.1
BDTX 315-B	230	50	200	7	2545	1900	54	8.2
BDTX 355	230	50	130	4	1380	1450	47	11.2

