

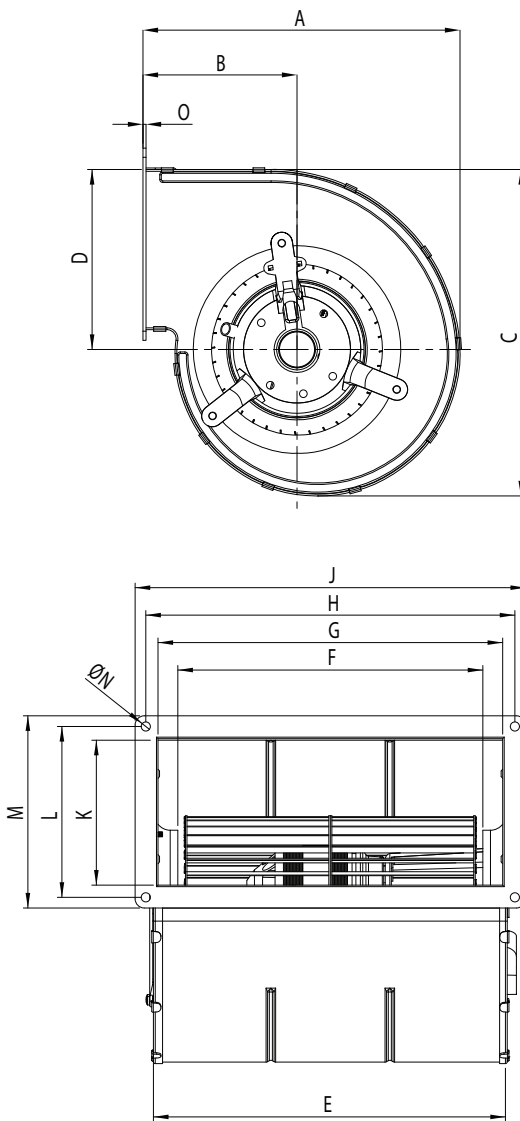


BFC

AC FANCOIL FANS
Forward Curved

BFC (double inlet centrifugal) fans work at high efficiency and low noise.

Technical Drawing

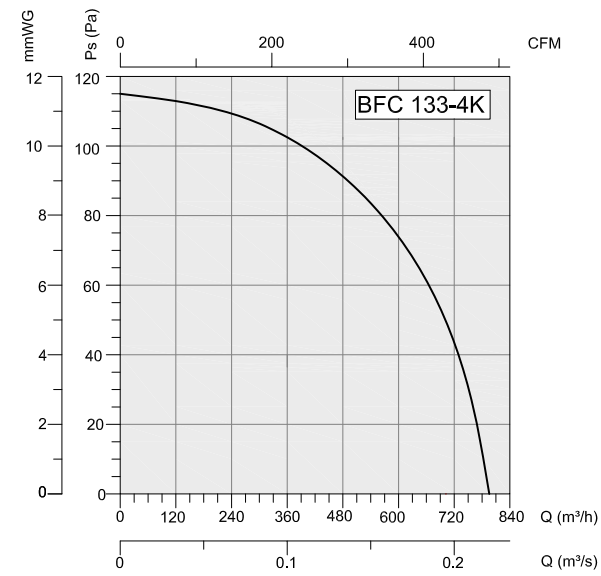


- MATERIAL** : Housing is made of galvanized sheet metal, impeller is forward curved and made of galvanized sheet metal.
- INSULATION CLASS** : Class B
- DIRECTIVE** : EN 60335-1, EN 60335-2-80
- SPEED CONTROL** : Speed can be adjusted using an optional controller.
- APPLICATION AREAS** : At fancoil units, local cooling applications, low noise asked air circulation applications.

TYPE	VOLTAGE V	FREQUENCY Hz	POWER W	CAPACITOR (µF)	SPEED rpm	AIR FLOW m³/h	SOUND PRESSURE LEVEL dB(A)	WEIGHT kg
BFC 133-4K	230	50	85	2.5	1080	800	44	2.8

TYPE	A	B	C	D	E	F	G	H	J	K	L	M	N	O
BFC 133-4K	208	101	214	118	231	200	226	242	256	95	112	126	06	2

Dimensions are in (mm)



Accessories



BSC

