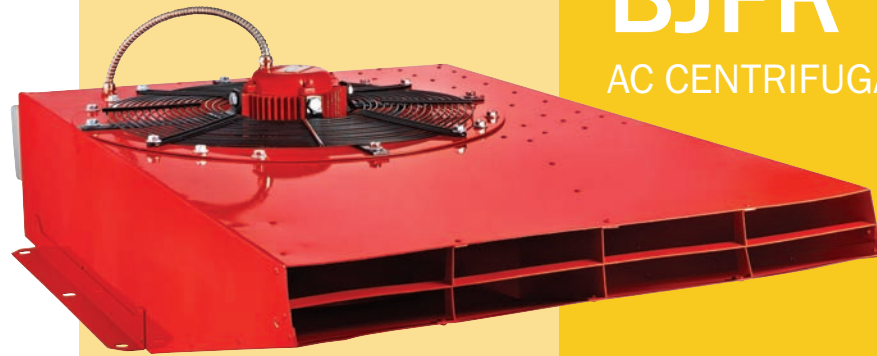


BJFR

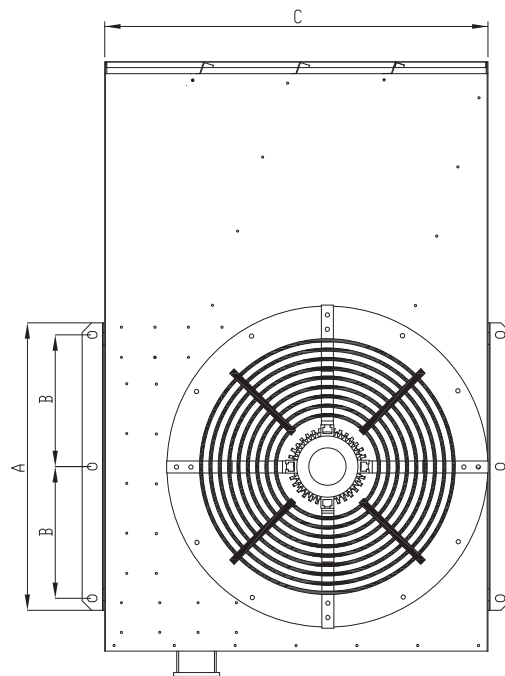
AC CENTRIFUGAL JET FANS



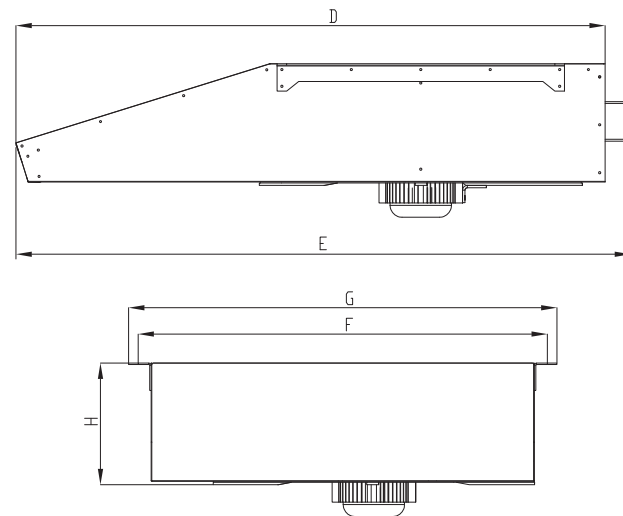
BJFR Centrifugal Jet Fans are able to exhaust smoke continuously during blaze. They transfer air without using ducts in closed areas. F-400 2h F 300-2h



Technical Drawing



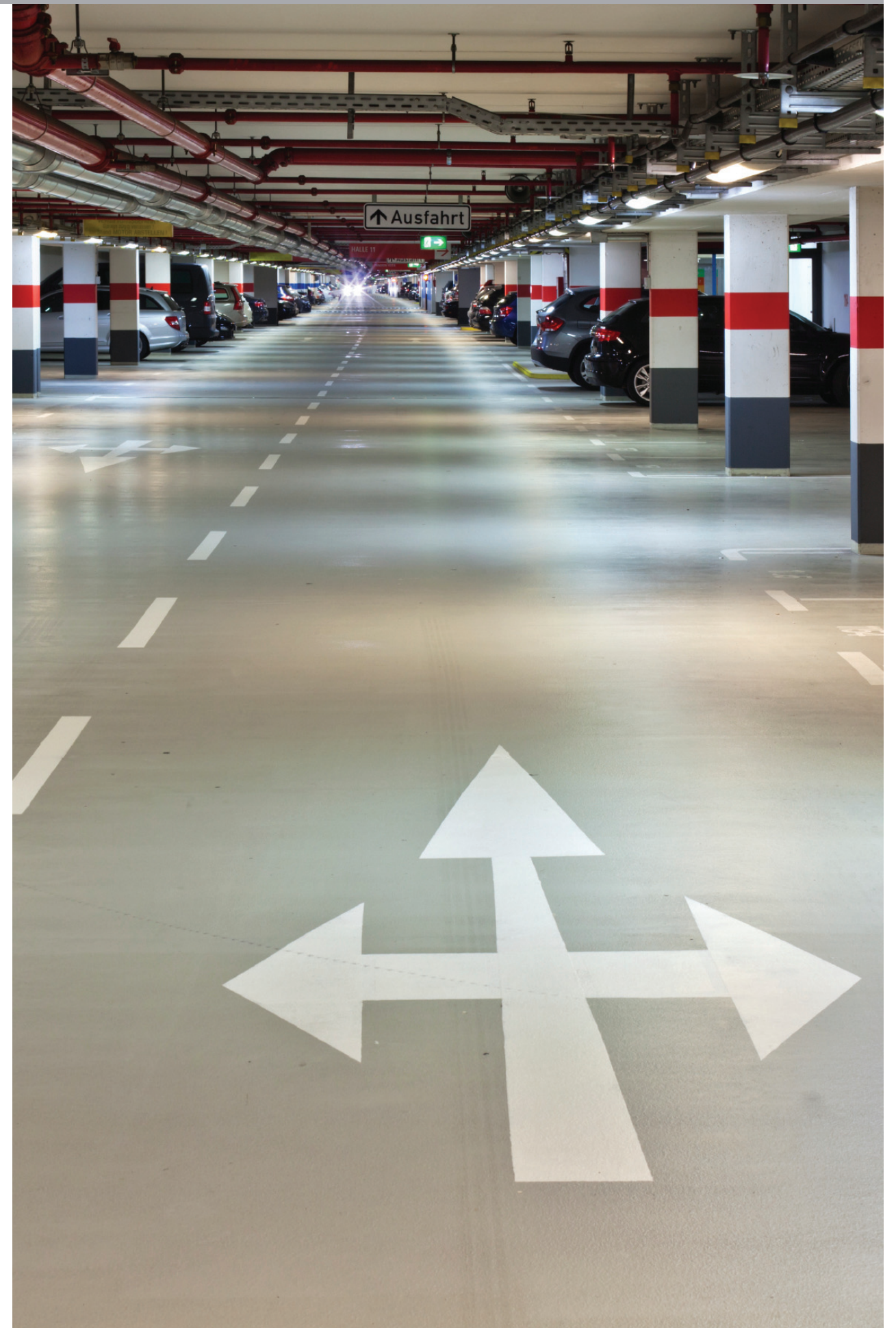
- MATERIAL** : Housing is made of sheet metal.
Grill protection both inlet and outlet of the fan.
Backward curved radial fan is made of galvanized sheet metal.
- INSULATION CLASS** : Class H
- DIRECTIVE** : EN 12101-3
- SPEED CONTROL** : 2 Speed - 4/8 Poles
- MOTOR** : Three Phase / Single Speed - 2 Pole
- APPLICATION AREAS** : These fans are often used for car parking areas, tunnels etc.



TYPE	A	B	C	D	E	F	G	H
BJFR 50	600	275	800	1232	1298	844	890	272
BJFR 75	800	250	1000	1600	1666	1044	1090	337

Dimensions are in (mm)

TYPE	VOLTAGE	POLES	POWER	SPEED	AIR FLOW	FORCE	SOUND PRESSURE LEVEL	WEIGHT
	V		Kw	rpm	m³/h	N	dB(A)	kg
BJFR 50 1p	400	4	1,1	1410	5800	50	77	80
BJFR 50 2p	400	4/8	1.1/0.18	1410/700	5800/2880	50/13	77/60	80
BJFR 75 1p	400	4	2,3	1420	8100	75	78	125
BJFR 75 2p	400	4/8	2,3/0,37	1420/710	8100/4050	75/19	78/61	125



DUCT FANS

ROOF FANS

AXIAL FANS

RADIAL FANS

JET FANS

PLASTIC FANS

VENTILATORS

ACCESSORIES