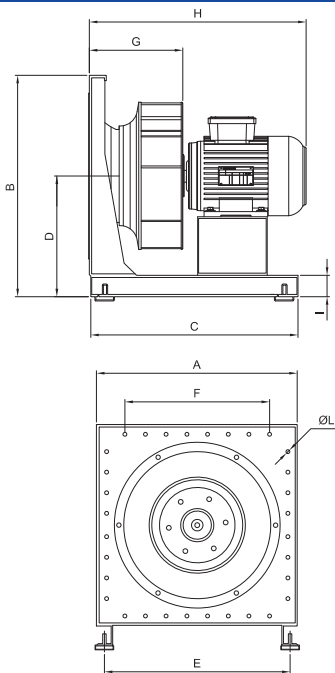


BPF

PLUG FAN Backward Curved

Compact module. Optimized aerodynamically and acoustically executions. Static pressure increase up to 2,000 Pa in the optimum range. Impeller diameter is 280 up to 610 mm nominal size. Motor with three PTC resistors, suitable for operation at frequency.

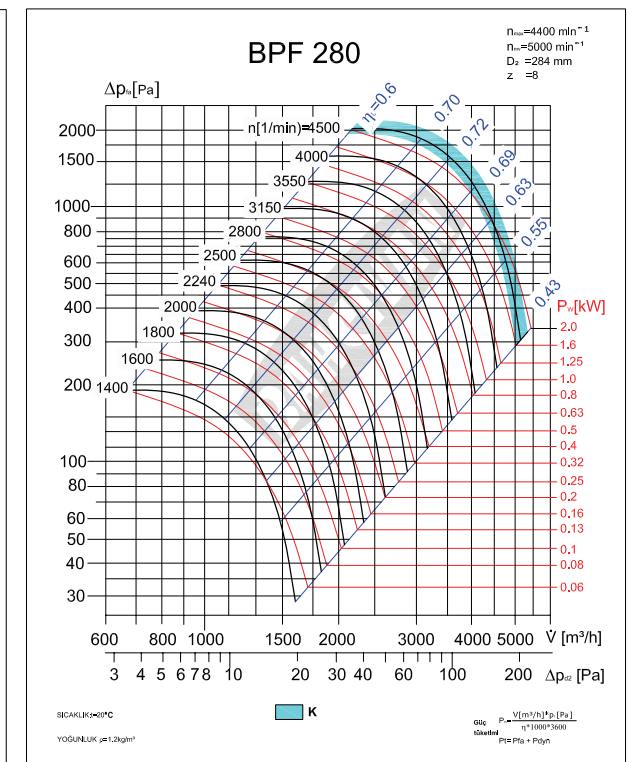
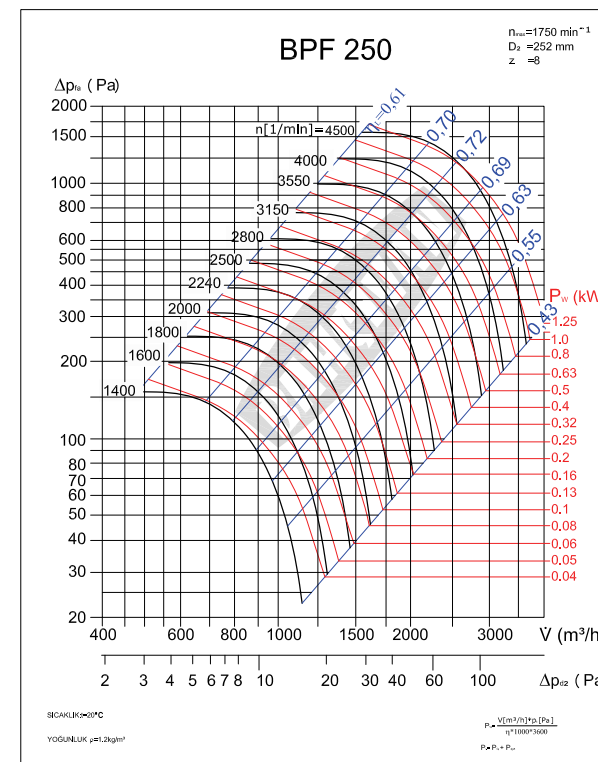
Technical Drawing



- MATERIAL** : Housing is made of galvanized sheet metal, fan is manufactured electrostatic powder painted and welded.
- INSULATION CLASS** : Class F
- DIRECTIVE** : EN 60335-1, EN 60335-2-80, EN 12101-3
- SPEED CONTROL** : Speed can be adjusted using an optional controller.
- APPLICATION AREAS** : In industrial air conditioning applications they save from energy and space. Plug fans are preferred in hygienic air handling units because they are easily cleaned and maintained.

TYPE	A	B	C	D	E	F	G	H	I	ØL
BPF 250 A	375	414	340	226	341	285	150	360	40	8
BPF 250 B	375	414	340	226	341	285	150	390	40	8
BPF 280 A	390	430	360	240	356	300	180	380	40	8
BPF 280 B	390	430	360	240	356	300	180	410	40	8
BPF 315 A	430	478	400	260	396	315	205	430	44	8
BPF 315 B	430	478	400	260	396	315	205	450	44	8
BPF 355 A	470	510	460	280	436	350	230	460	44	8
BPF 355 B	470	510	460	280	436	350	230	510	44	8
BPF 400 A	515	560	460	300	481	400	250	510	44	10
BPF 400 B	515	560	520	300	481	400	250	600	44	10
BPF 450 A	582	630	500	340	548	500	285	540	44	10
BPF 450 B	582	630	600	340	548	500	285	680	44	10
BPF 500 A	645	730	580	410	611	550	320	620	44	10
BPF 500 B	645	730	750	410	611	550	320	840	44	10
BPF 560 A	715	800	630	450	681	600	355	680	44	10
BPF 560 B	715	800	800	450	681	600	355	870	44	10

Dimensions are in (mm)



TYPE	VOLTAGE	FREQUENCY	MOTOR TYPE	POWER	SPEED	AIR FLOW	PRESSURE	WEIGHT
	V	Hz		Kw	rpm	m³/h	Pa	kg
BPF 250 A	230/380	50	63	0,18	1400	800	120	17
BPF 250 B	230/380	50	71	0,37	2800	1500	500	19
BPF 280 A	230/380	50	63	0,18	1400	1100	170	21
BPF 280 B	230/380	50	71	0,55	2800	2200	600	23
BPF 315 A	230/380	50	71	0,37	1400	1600	200	24
BPF 315 B	230/380	50	80	1,1	2800	3200	750	26
BPF 355 A	230/380	50	71	0,37	1400	2500	250	28
BPF 355 B	230/380	50	90S	1,5	2800	4250	850	35
BPF 400 A	230/38	0 50	80	0,55	1400	3250	300	39
BPF 400 B	380	50	112M	4	2800	6500	1200	48
BPF 450 A	230/380	50	80	0,75	1400	4300	370	40
BPF 450 B	380	50	132S	5,5	2800	9000	1500	66
BPF 500 A	230/380	50	90L	1,5	1400	6500	450	54
BPF 500 B	380	50	160M	11	2800	12000	1600	107
BPF 560 A	230/380	50	100L	2,2	1400	9000	600	70
BPF 560 B	380	50	160L	18,5	2800	18000	2300	184

