



BPS-B 150-100

AC DOUBLE INLET CENTRIFUGAL BLOWER
Plastic Housing

BPS-B 150-100 double inlet fans are usually used for cooker hoods. They are preferred for wet and oily environments.

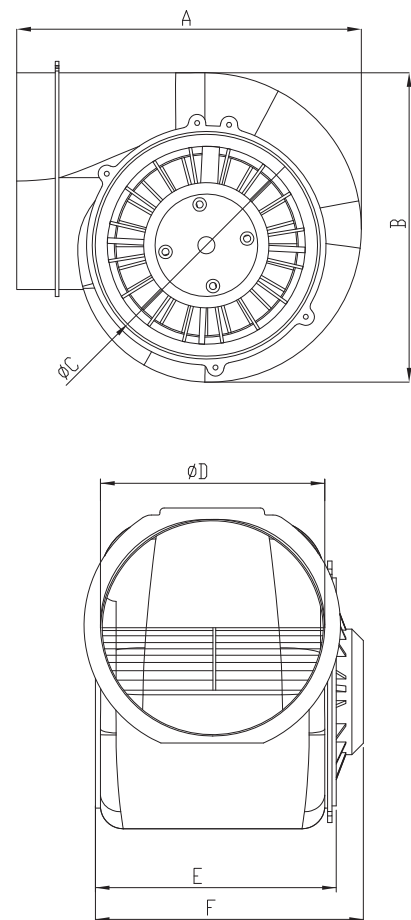
AORB

AC DIRECT DRIVE CENTRIFUGAL BLOWER
Metal Body

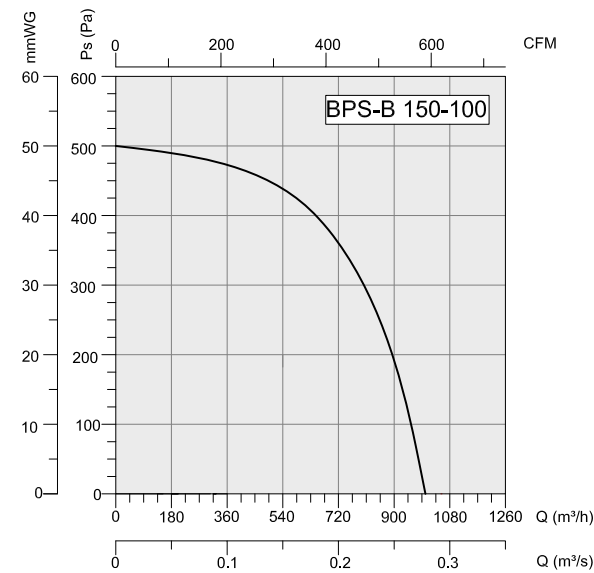
AORB fan's compact structure benefits space saving for various cooling and ventilation applications.



Technical Drawing



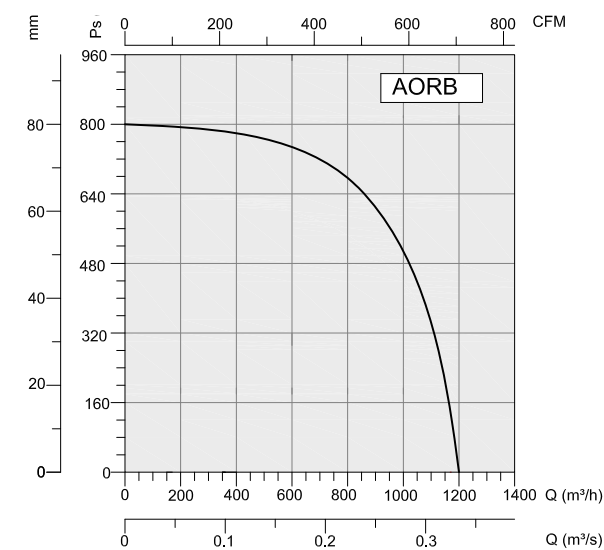
- MATERIAL** : Housing is made of plastic. Forward curved fan is also made of plastic.
- INSULATION CLASS** : Class B
- DIRECTIVE** : EN 60335-1, EN 60335-2-80
- SPEED CONTROL** : Speed can be adjusted using an optional controller.
- APPLICATION AREAS** : Cooker Hoods, laboratories, residential areas, industrial areas etc.



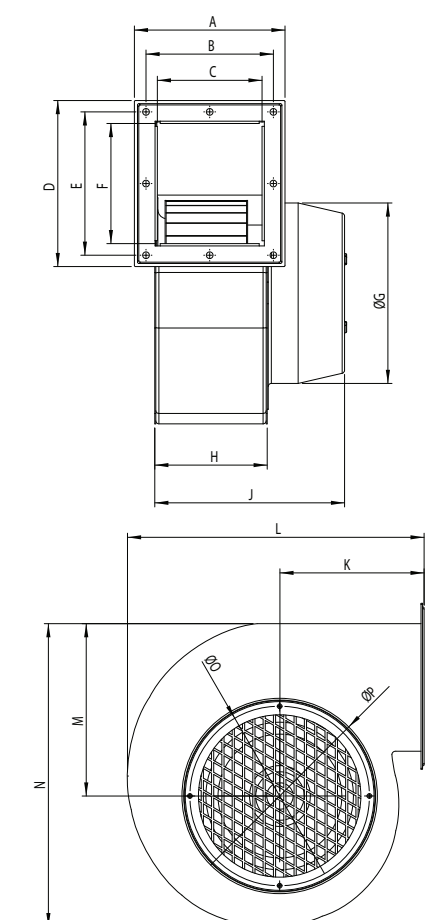
MATERIAL

- INSULATION CLASS** : Class B
- DIRECTIVE** : EN 60335-1, EN 60335-2-80
- SPEED CONTROL** : Speed can be adjusted using an optional controller.

- APPLICATION AREAS** : The AORB centrifugal fan is perfect for use in industrial and commercial environments, mainly for local cooling applications, blowing in heating systems etc.



Technical Drawing



Accessories



BSC

| TYPE | VOLTAGE | FREQUENCY | POWER | CAPACITOR | SPEED | AIR FLOW | SOUND PRESSURE LEVEL | WEIGHT |
|---------------|---------|-----------|-------|------------|-------|-------------------|----------------------|--------|
| | V | Hz | W | (μ F) | rpm | m ³ /h | dB(A) | kg |
| BPS-B 150-100 | 230 | 50 | 250 | 8 | 1650 | 1050 | 40 | 1,8 |

| TYPE | A | B | C | D | E | F |
|---------------|-----|-----|-----|-----|-----|-----|
| BPS-B 150-100 | 241 | 217 | 156 | 150 | 165 | 185 |

Dimensions are in (mm)

| TYPE | VOLTAGE | FREQUENCY | POWER | CAPACITOR | SPEED | AIR FLOW | SOUND PRESSURE LEVEL | WEIGHT |
|------|---------|-----------|-------|------------|-------|-------------------|----------------------|--------|
| | V | Hz | W | (μ F) | rpm | m ³ /h | dB(A) | kg |
| AORB | 230 | 50 | 550 | 8 | 2750 | 1200 | 55 | 5 |

| TYPE | A | B | C | D | E | F | G | H | J | K | L | M | N | O | P |
|------|-----|-----|-----|-----|-----|-----|-----|-----|-----|-----|-----|-----|-----|-----|-----|
| AORB | 150 | 125 | 105 | 163 | 139 | 120 | 174 | 109 | 185 | 142 | 290 | 170 | 298 | 143 | 186 |

Dimensions are in (mm)

Accessories



BSC