



BPS 140-60

AC CENTRIFUGAL BLOWER
Plastic Housing

Plastic housing of Single Inlet BPS fan allows operating the fan where corrosive and inflammable airflow is subjected to put in operation.

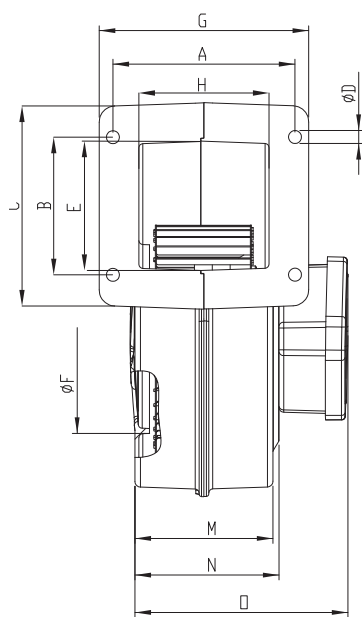
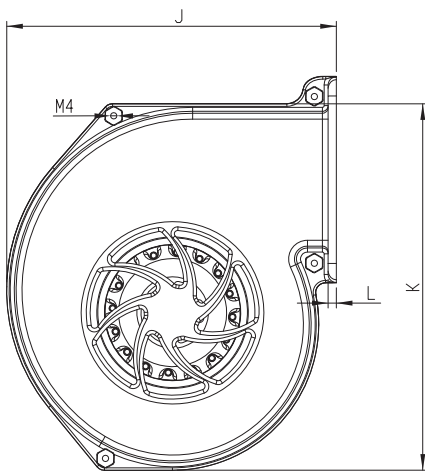
BPS-B 140-60

AC CENTRIFUGAL BLOWER
Plastic Body

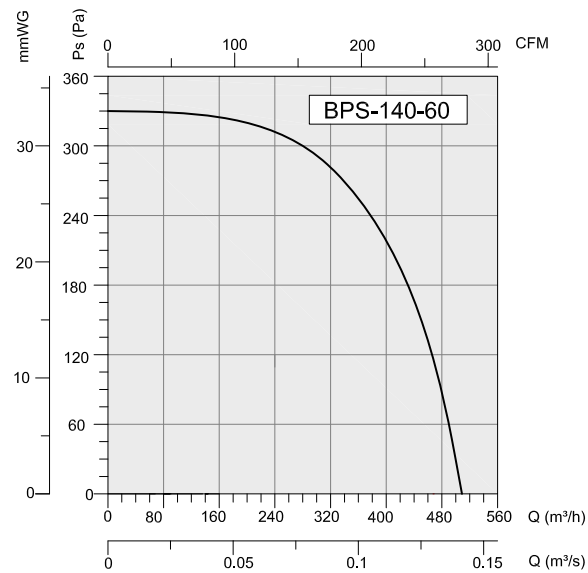
Plastic housing of Single Inlet BPS-B fan allows operating the fan where corrosive and inflammable airflow is subjected to put in operation.



Technical Drawing



- MATERIAL** : Scroll housing is made of from injected white plastic. Both forward curved plastic or metal impeller is available.
- INSULATION CLASS** : Class B
- DIRECTIVE** : EN 60335-1, EN 60335-2-80
- SPEED CONTROL** : Speed can be adjusted using an optional controller.
- APPLICATION AREAS** : Acetic environments, laboratories, residential areas, packing machines, yacht air conditioning, dc motor cooling, sock machines, industrial and commercial areas, etc.

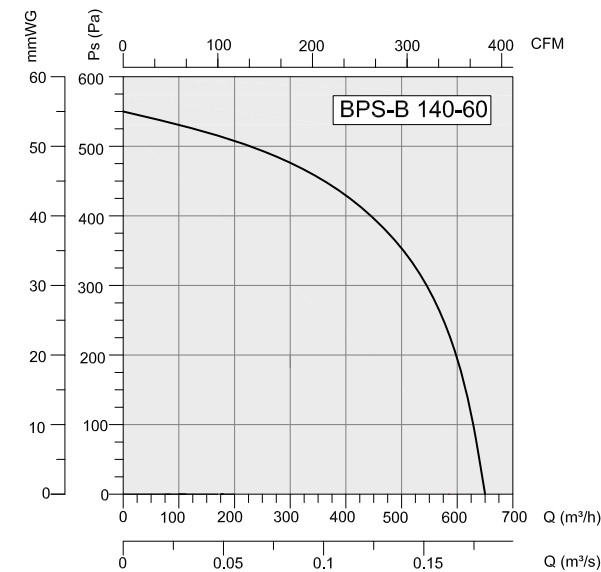


TYPE	VOLTAGE	FREQUENCY	POWER	CAPACITOR	SPEED	AIR FLOW	SOUND PRESSURE LEVEL	WEIGHT
	V	Hz	W	(µF)	rpm	m³/h	dB(A)	kg
BPS 140-60	230	50	110	4	2550	500	47	2

TYPE	A	B	C	D	E	F	G	H	J	K	L	M	N	O
BPS 140-60	110.5	83.5	123	6	76	110	128.5	79.5	201	225	5	85.5	90	130

Dimensions are in (mm)

- MATERIAL** : Scroll Housing made of plastic. Forward curved impeller is sheet metal.
- INSULATION CLASS** : Class B
- DIRECTIVE** : EN 60335-1, EN 60335-2-80
- SPEED CONTROL** : Speed can be adjusted using an optional controller.
- APPLICATION AREAS** : In Heat Exchangers, Acetic environments, laboratories, residential areas, packing machines, yacht air conditioning, DC motor cooling, sock machines, industrial and commercial areas, etc.



Accessories



BSC

TYPE	VOLTAGE	FREQUENCY	POWER	CAPACITOR	SPEED	AIR FLOW	SOUND PRESSURE LEVEL	WEIGHT
	V	Hz	W	(µF)	rpm	m³/h	dB(A)	kg
BPS-B 140-60	230	50	150	4	2235	650	51	2.2

TYPE	A	B	C	D	E	F	G	H	J	K	L
BPS-B 140-60	96	100	3	126	7	5	113	239	22	246	264

Technical Drawing

