

BRCF-M

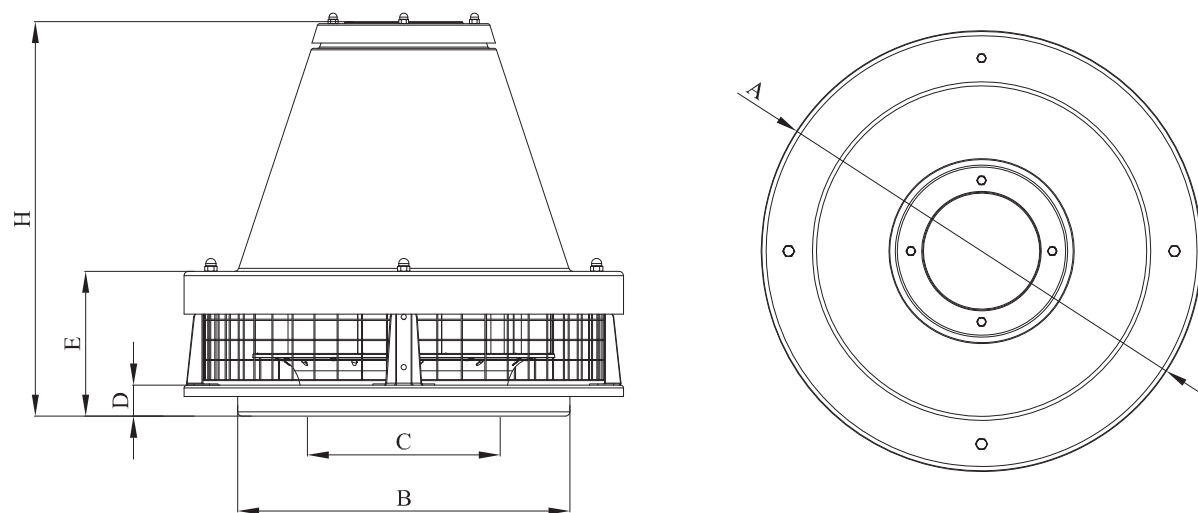
AC DIRECT DRIVE ROOF FANS
Horizontal Outlet



BRCF-M is used as a smoke exhaust fan in industrial and residential areas to vent out the hot gases through chimney. Max.. transferred air temperature is 120C.

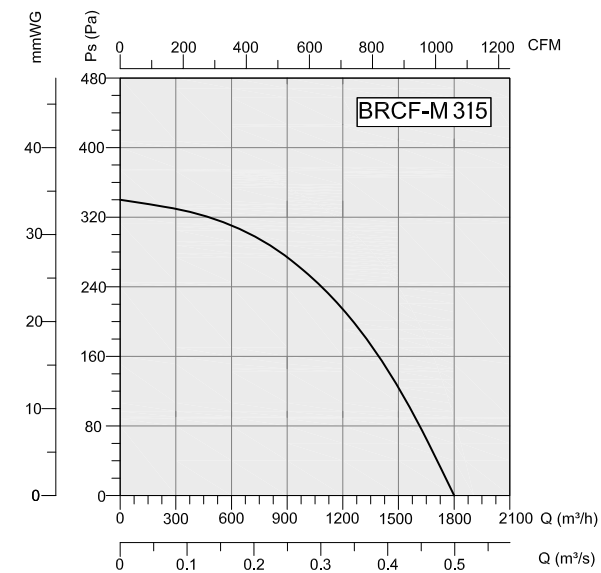
- MATERIAL** : The housing is made of electrostatic powder coated sheet steel, fan is made of sheet steel with backward curved impeller.
- INSULATION CLASS** : Class F
- MAX. AIR TEMPERATURE** : 120°C
- DIRECTIVE** : EN 60335-1, EN 60335-2-80, EN 12101-3
- SPEED CONTROL** : Speed can be adjusted using an optional controller.
- APPLICATION AREAS** : Fan series is perfect to use in residential, commercial and industrial environments, especially where hot air and smoke is needed to be transferred. For example cafes, restaurants, gymnasiums, shopping centers, hospitals, factories, offices etc.

Technical Drawing



TYPE	A	B	C	D	E	H	Kg
BRCF-M 315	410	310	180	30	135	370	10

Dimensions are in (mm)



Accessories



TYPE	VOLTAGE	FREQUENCY	POWER	SPEED	AIR FLOW	SOUND PRESSURE LEVEL	WEIGHT
	V	Hz	W	rpm	m³/h	dB(A)	kg
BRCF-M 315	230	50	370	2800	1800	42	10