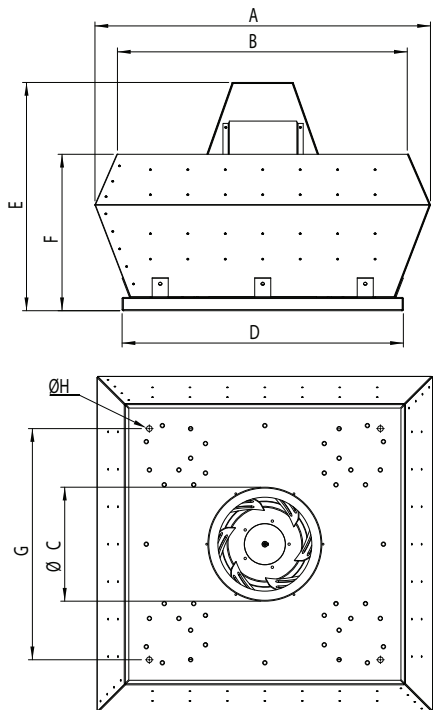


# BRDV

## AC DIRECT DRIVE ROOF FANS Vertical Outlet

Backward curved and direct coupled motors are used in BRDV vertical outlet radial roof fans. Max. Transferred air temperature is 120C. Low noise level.

### Technical Drawing



- MATERIAL** : The housing is made of galvanized sheet iron, backward curved impeller is made of galvanized sheet metal.
- INSULATION CLASS** : Class F
- MAX. AIR TEMPERATURE** : 120°C
- DIRECTIVE** : EN 60335-1, EN 60335-2-80, EN 12101-3
- SPEED CONTROL** : Speed can be adjusted using an optional controller.
- APPLICATION AREAS** : The BRDV fan series is perfect to use in residential, commercial and industrial environments, especially where hot air and smoke is needed to be transferred.

### Accessories



BSC-F

TYPE	VOLTAGE	FREQUENCY	POWER	CAPACITOR	SPEED	AIR FLOW	SOUND PRESSURE LEVEL	WEIGHT
	V	Hz	W	(µF)	rpm	m³/h	dB(A)	kg
BRDV 315	230/380	50	250	10/-	1420	2000	47	22
BRDV 355	230/380	50	370	12/-	1410	3000	49	27
BRDV 400	230/380	50	370	12/-	1400	4125	52	33
BRDV 450	380	50	750	N/A	1370	5500	54	38
BRDV 500	380	50	1500	N/A	1350	7900	57	49
BRDV 560	380	50	2200	N/A	1350	10500	65	58

TYPE	A	B	C	D	E	F	G	H
BRDV 315	840	730	254	700	570	390	576	14
BRDV 355	840	730	284	700	570	390	576	14
BRDV 400	890	785	330	750	595	425	576	14
BRDV 450	960	850	340	800	655	445	626	14
BRDV 500	1030	910	360	850	705	490	676	14
BRDV 560	1190	960	400	950	820	600	740	14

Dimensions are in (mm)

