

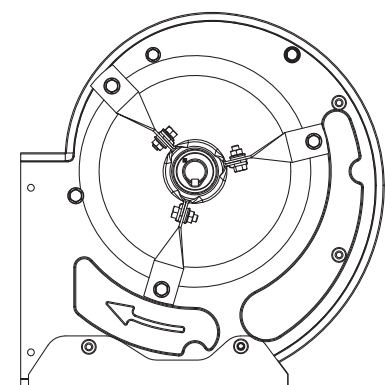
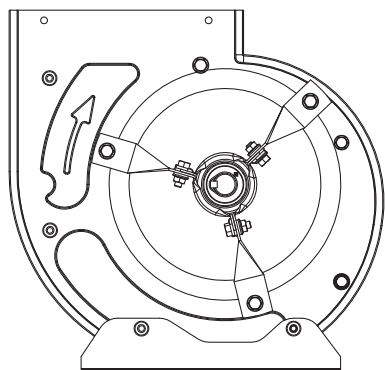
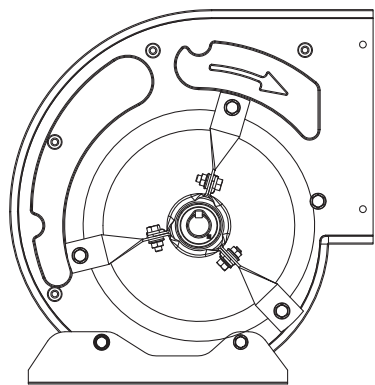


BRV/BRV-K

LOW PRESSURE CENTRIFUGAL BLOWERS
Forward Curved

BRV (double inlet fans) can be manufactured for the flow rates between 500 and 50000 m³/h. Max. efficiency with low energy. BRV-K models are reinforced version.

Technical Drawing



MATERIAL

: Housing is made of galvanized sheet metal, forward curved fan is made of galvanized sheet metal, shaft is made of ST-45 steel and free axle supported at both ends by permanently greased ball bearings, bearing protectors are made of caoutchouc.

DIRECTIVE

: EN 60335-1, EN 60335-2-80

SPEED CONTROL

: Speed is adjusted using belt pulley.

APPLICATION AREAS

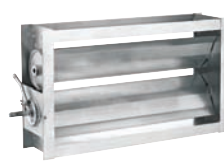
: Ventilation units, central climate units, workplaces, offices, cafes, restaurants, meeting rooms, supermarkets, spor complexes etc. and comfort expected places.

TYPE	AIR FLOW m ³ /h	WEIGHT kg
BRV 7-7	3500	6.1
BRV 9-9	5000	8.2
BRV 10-10	6500	9.4
BRV 12-12	10000	15.5
BRV 15-15	18000	20.7
BRV 18-18	25000	40.5

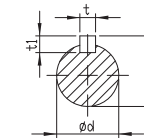
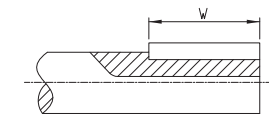
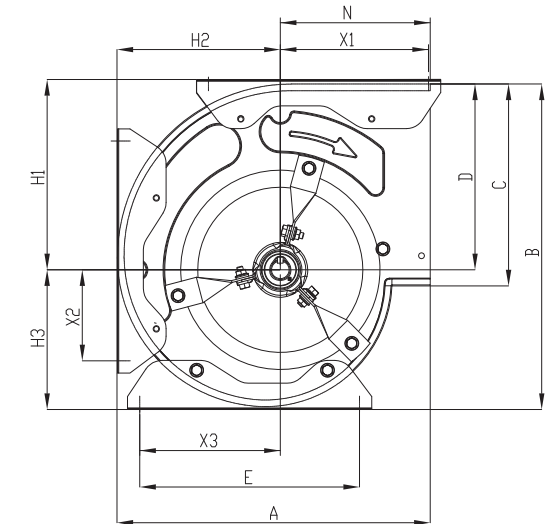
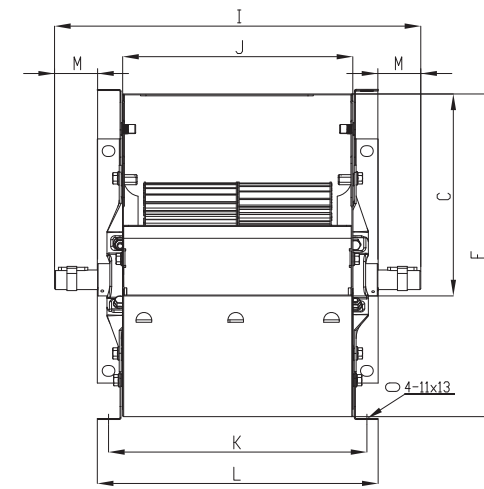
Accessories



BDEB

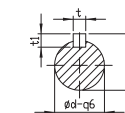
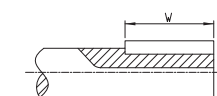
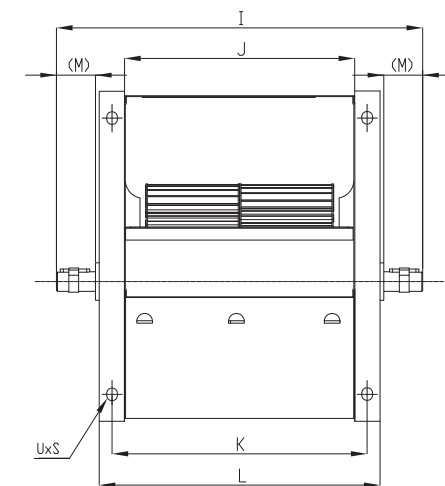
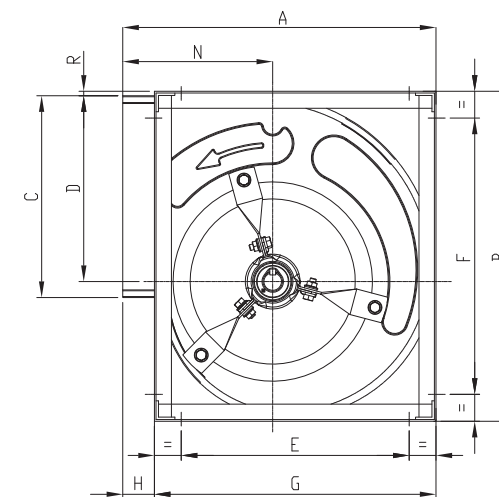


BDH



TYPE	A	B	C	D	E	F	I	J	K	L	M	N	X	t	t1	W	d	H1	H2	H3	X1	X2	X3
BRV 7/7	321	333	207	190	225	330	375	236	264.5	287.5	44	154	22.5	6	6	30	20	195	167	142	152	93	144
BRV 9/9	390	400	261	218	300	390	435	296	325.5	350.5	44	217	22.5	6	6	30	20	225	208	182	202	114	184
BRV 10/10	435	455	290	250	339	445	500	333	361	386	57	197	28	8	7	50	25	258	238	205	161	146	200
BRV 12/12	498.5	535	336	292	409	520	580	398	428	453	65	229	28	8	7	50	25	304	270	243	223	139	257
BRV 15/15	597	620	402	341	497	610	650	476	505	531	60	264	28	8	7	60	25	349	324	279	260	214	301
BRV 18/18	687	753	477	411	605.5	732	754	559	591	614	71	313	28	8	7	65	25	424.5	375	342	282	281	330

Dimensions are in (mm)



TYPE	A	B	C	D	E	F	G	H	I	J	K	L	M	N	R	t	t1	W	X	d	UxS
BRV-K 15/15	569	609	404	342	497	531	539	36	675	471	495	520	75	264	4	8	7	65	33	30	11X16
BRV-K 18/18	684	739	477	415	608	641	654	36	790	557	583	607	87	314	6	10	8	70	38	30	11X16

Dimensions are in (mm)

