

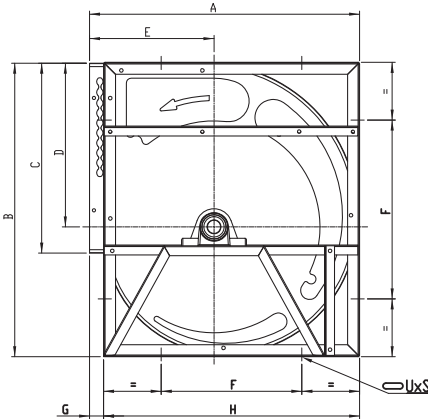


BRV-S

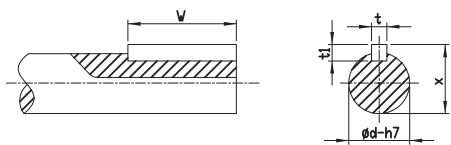
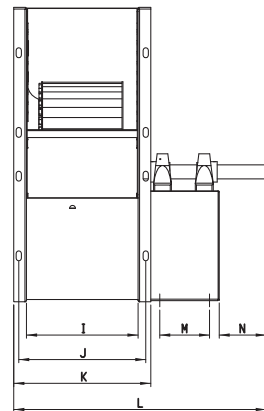
LOW PRESSURE CENTRIFUGAL FANS
Single Inlet

BRV-S (single inlet fans) can be manufactured for the flow rates between 1000 and 20000 m³/h. Max. efficiency with low energy.

Technical Drawing



- MATERIAL** : Housing is made of galvanized sheet metal, forward curved fan is made of galvanized sheet metal, shaft is made of ST-45 steel and free axle supported at both ends by permanently greased ball bearings
- DIRECTIVE** : EN 60335-1, EN 60335-2-80
- SPEED CONTROL** : Speed can be adjusted using an optional controller.
- APPLICATION AREAS** : Ventilation units, central climate units, workplaces, offices, cafes, restaurants, meeting rooms, supermarkets, spor complexes etc. and comfort expected places.



TYPE	AIR FLOW m ³ /h	WEIGHT kg
BRV-S 10-5	5000	9
BRV-S 12-6	10000	13
BRV-S 15-8	14000	17
BRV-S 18-10	20000	38

Accessories



BDEB

TYPE	A	B	C	D	E	F	G	H	I	J	K	L	M	N	t	t1	d	W	UxS
BRV-S 10-5	427	450	290	250	197	280	35	393	180	213	236	415	60	74	8	8	25	65	12X18
BRV-S 12-6	491	522	336	292	229	340	35	453	215	250	272	487	76	83	8	8	25	65	12X18
BRV-S 15-8	573	613	401	341	263	400	35	538	260	293	316	576	150	96	10	8	35	70	12X18
BRV-S 18-10	678	737	476	411	312	200	35	643	300	338	366	656	150	117	10	8	35	70	12X18

Dimensions are in (mm)

