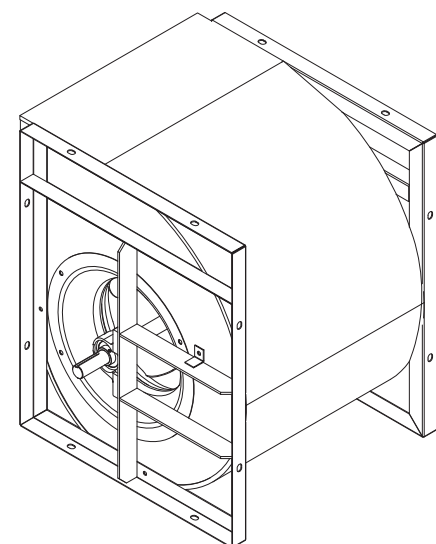
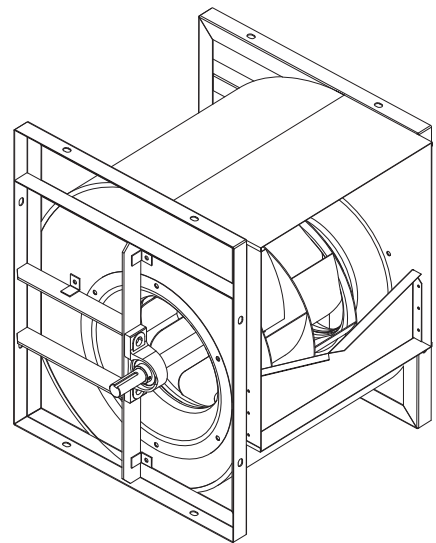


BSK

HIGH PRESSURE CENTRIFUGAL FANS Forward Curved – Welded

BSK (double inlet fans) can be manufactured for the flow rates between 500 and 90000 m³/h. Max. efficiency with low energy.

Technical Drawing



MATERIAL

: Housing is made of galvanized sheet metal, forward curved fan is made of galvanized sheet metal, shaft is made of ST-45 steel and free axle supported at both ends by permanently greased ball bearings.

DIRECTIVE

SPEED CONTROL

APPLICATION AREAS

: EN 60335-1, EN 60335-2-80

: Speed is adjusted using belt pulley.

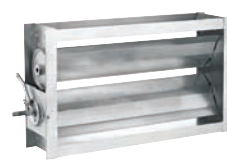
: Ventilation units, central climate units, workplaces, offices, cafes, restaurants, meeting rooms, supermarkets, spor complexes etc. and comfort expected places.

TYPE	AIR FLOW m ³ /h	WEIGHT kg
BSK 250	3000	18
BSK 280	6000	22
BSK 315	8000	33
BSK 355	10000	45
BSK 400	15000	52
BSK 450	18000	68
BSK 500	26000	85
BSK 560	32000	140
BSK 630	40000	168

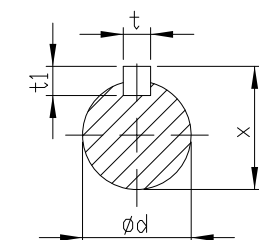
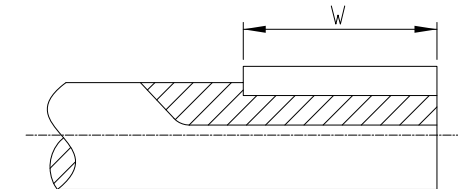
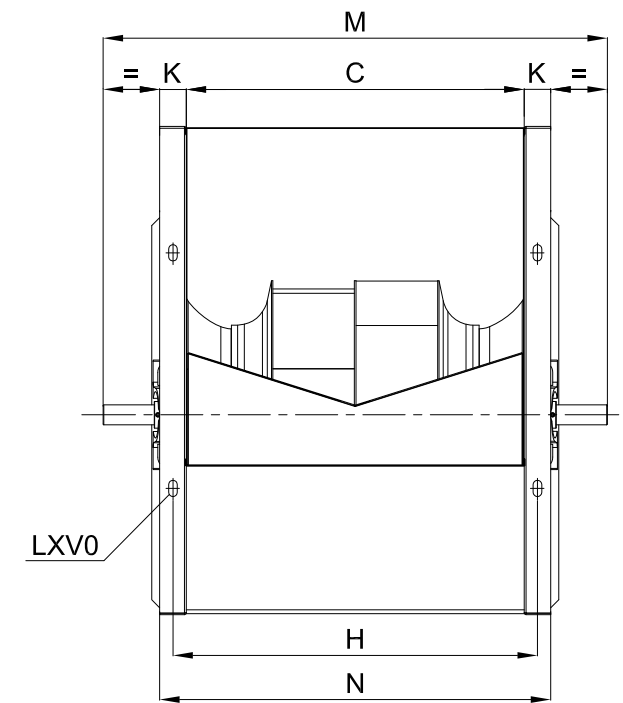
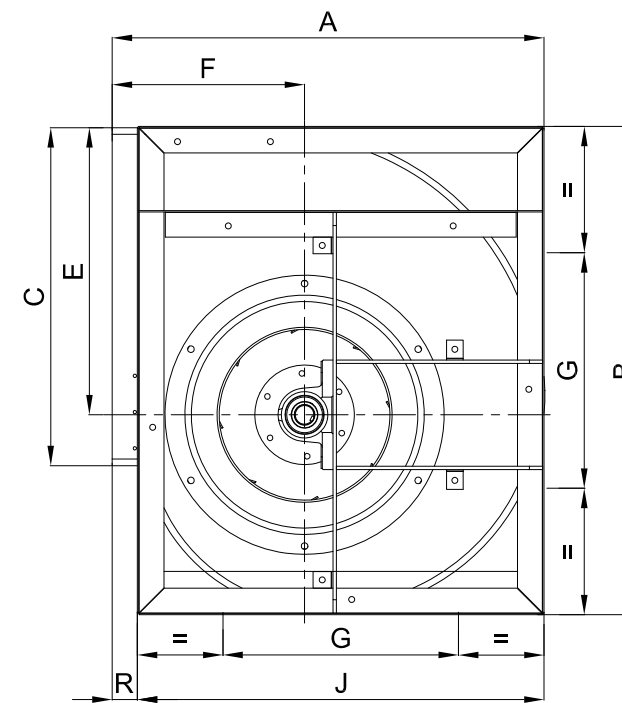
Accessories



BDEB

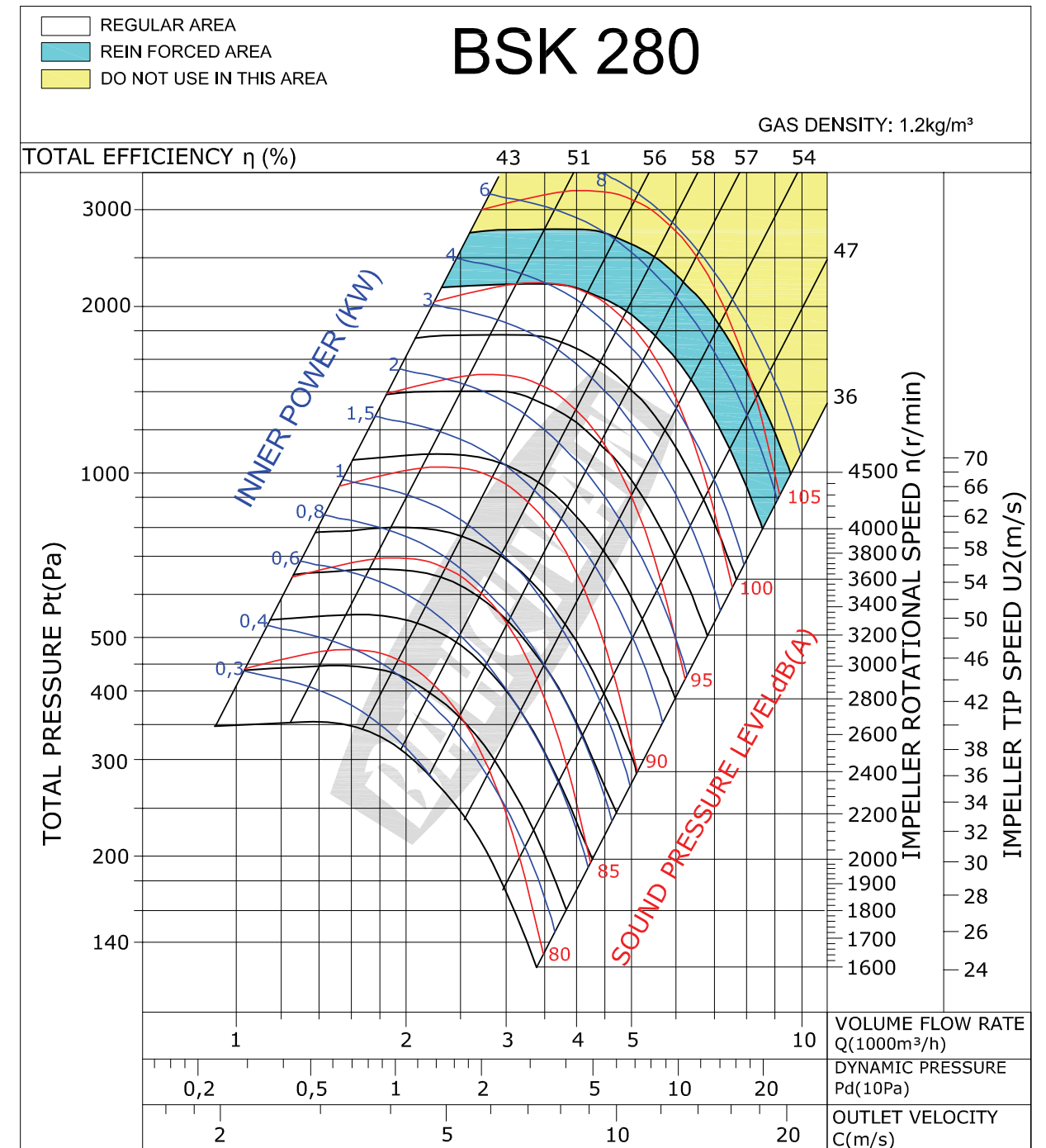
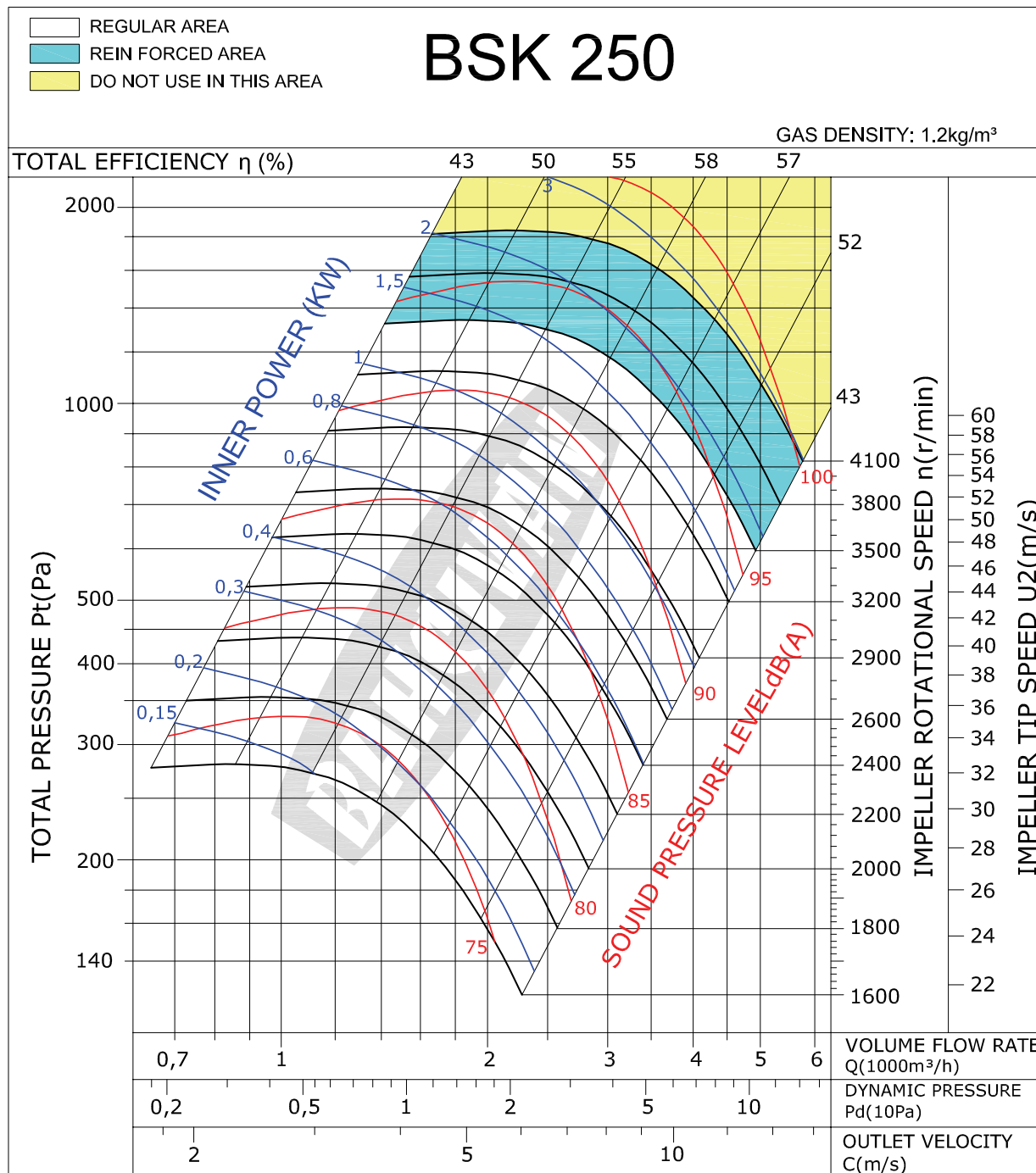


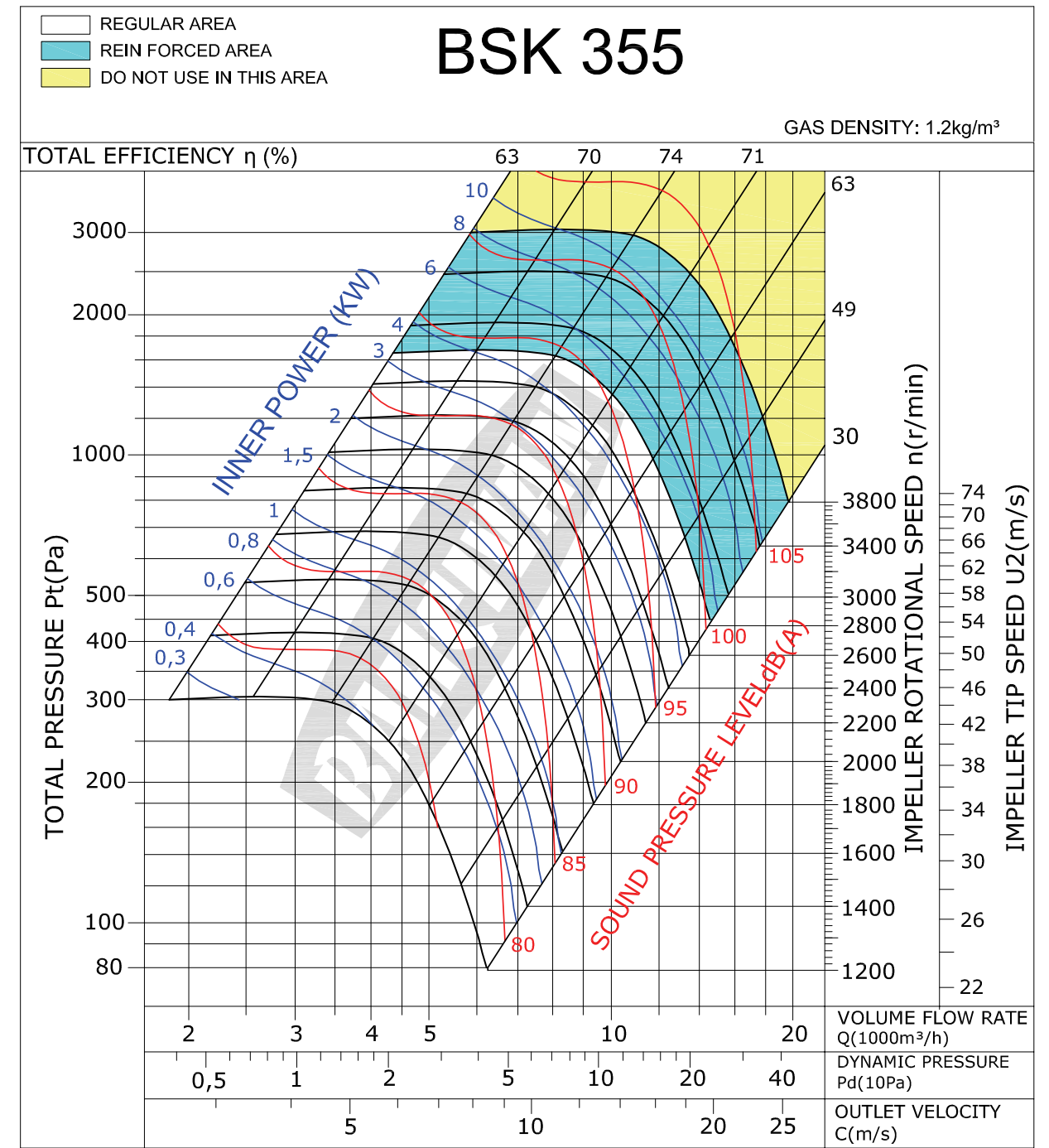
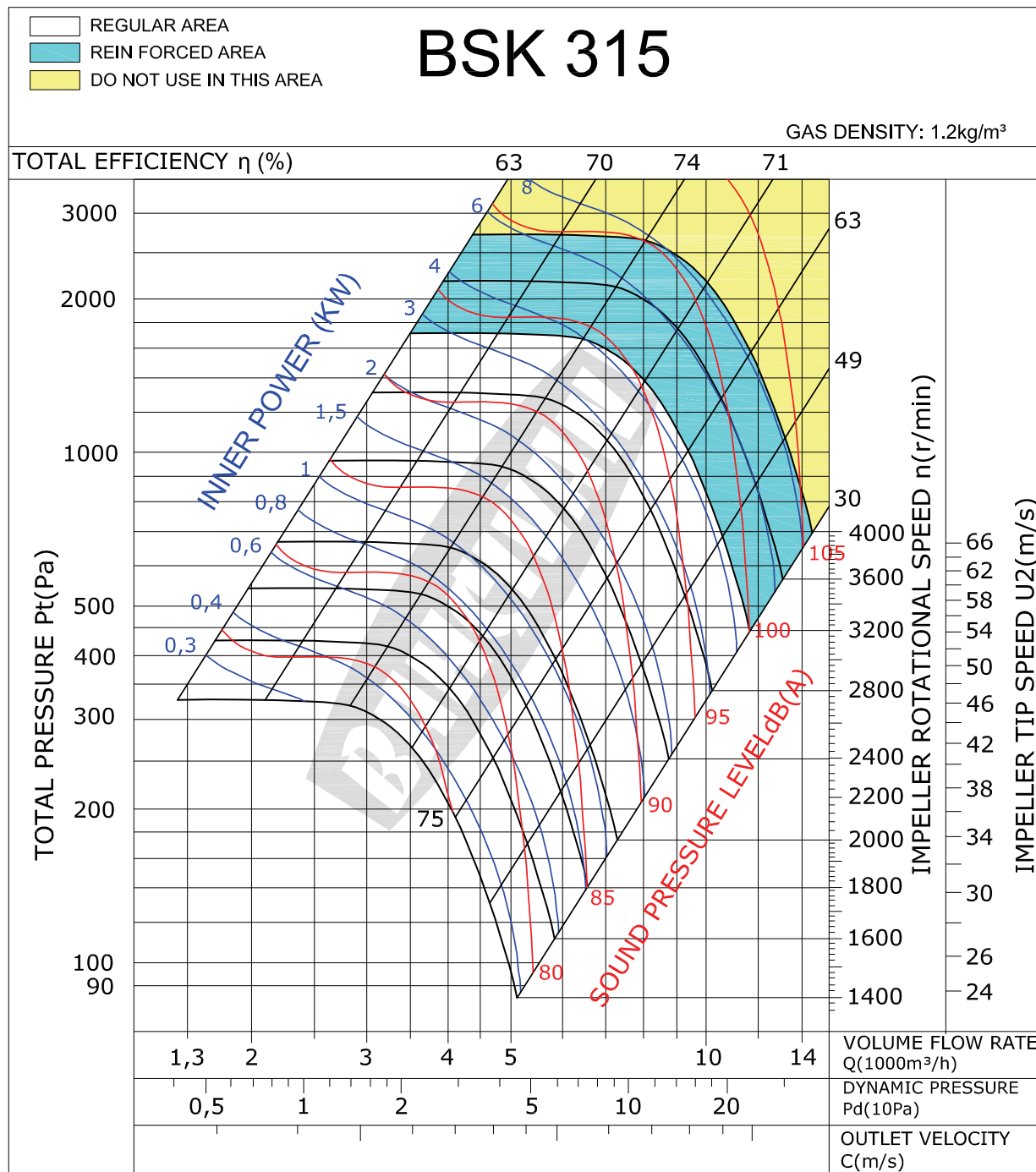
BDH

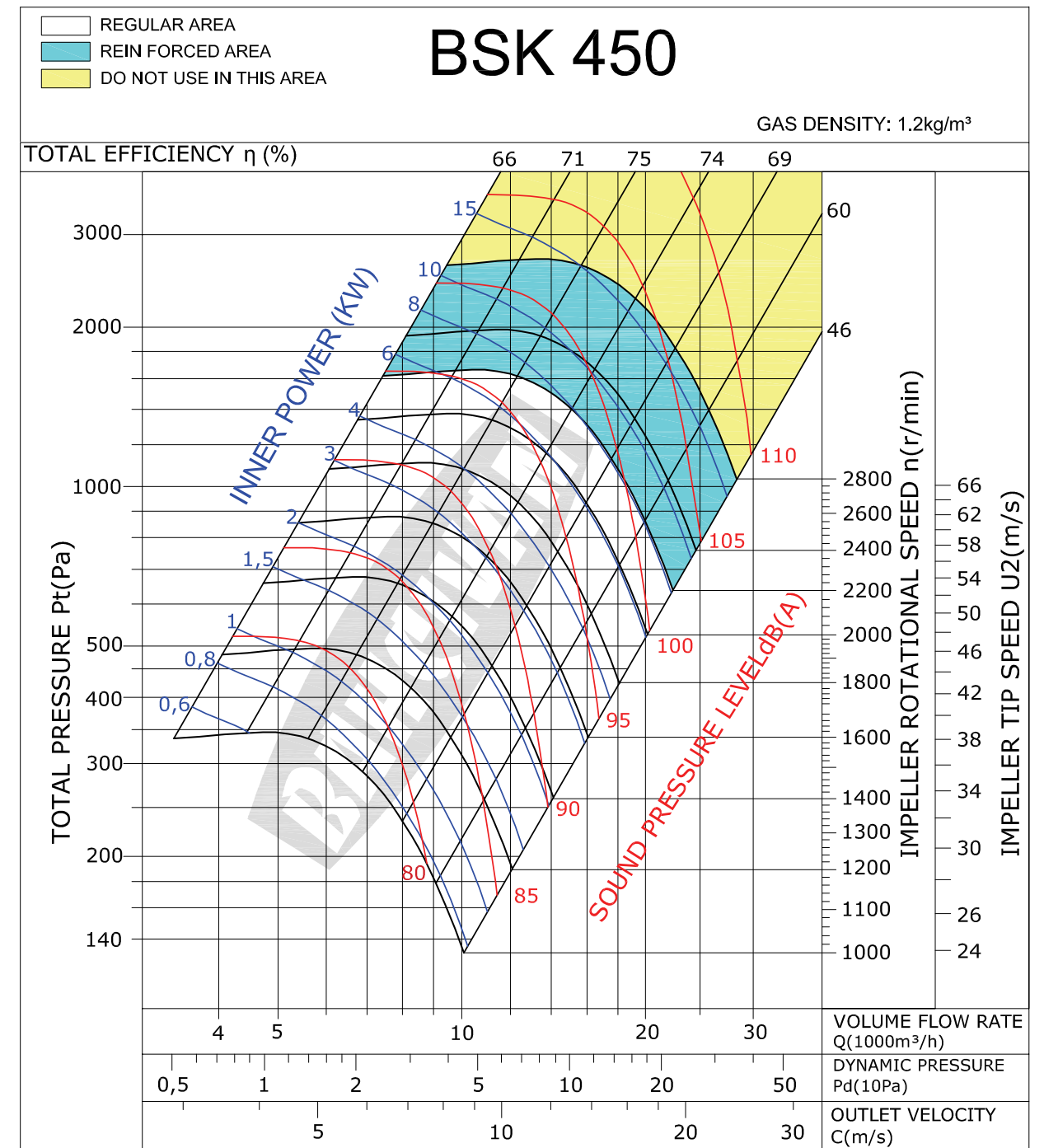
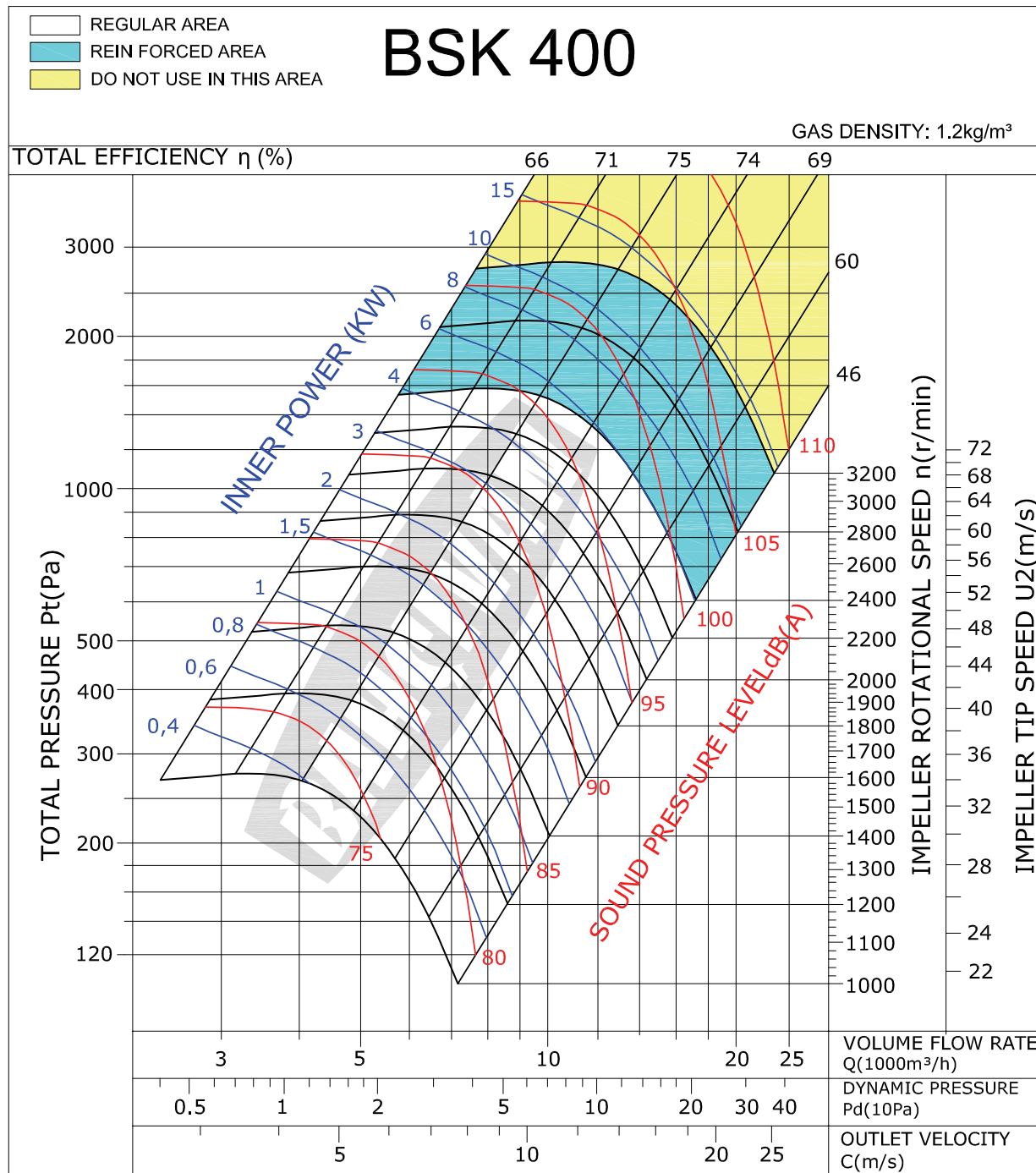


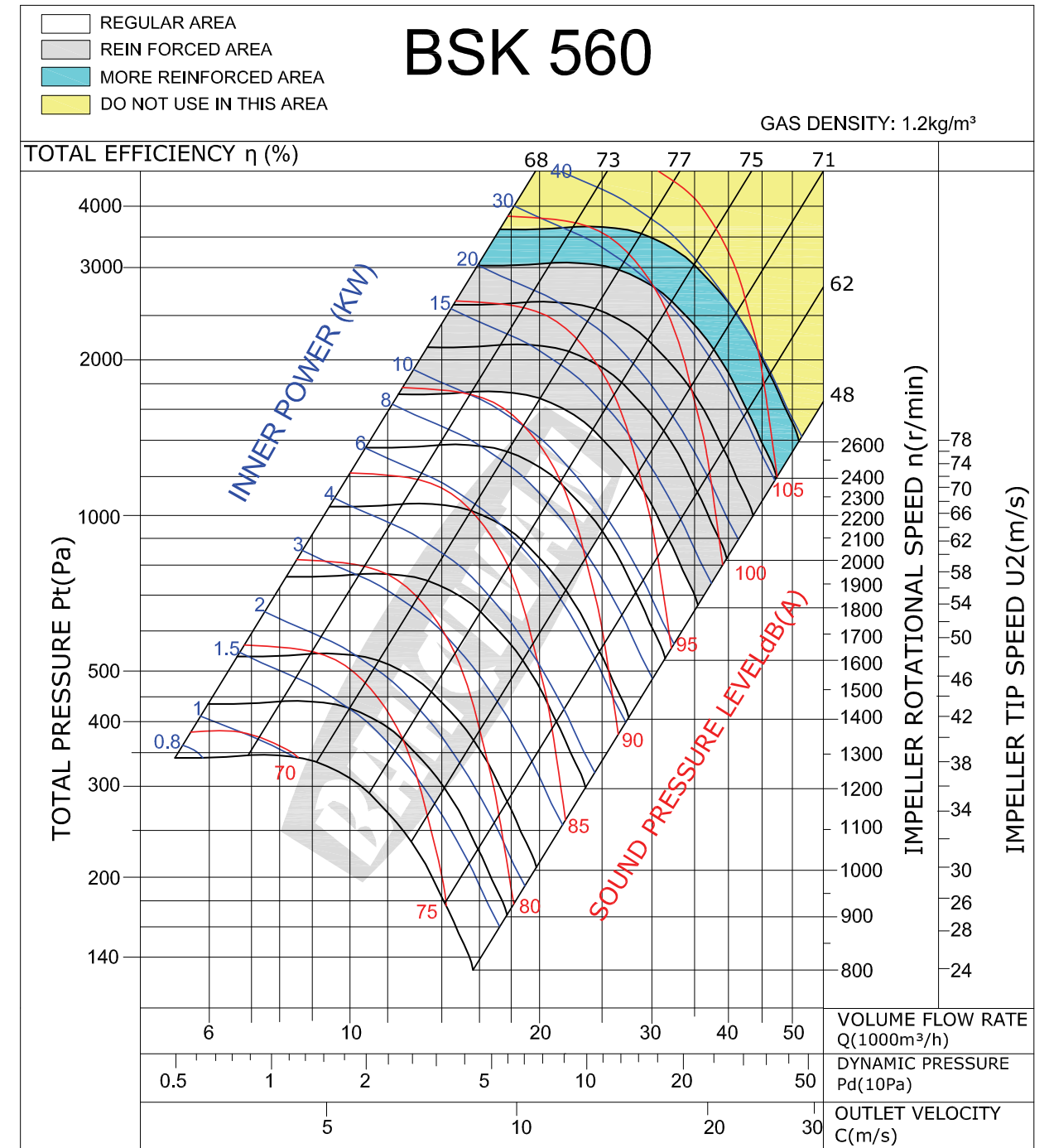
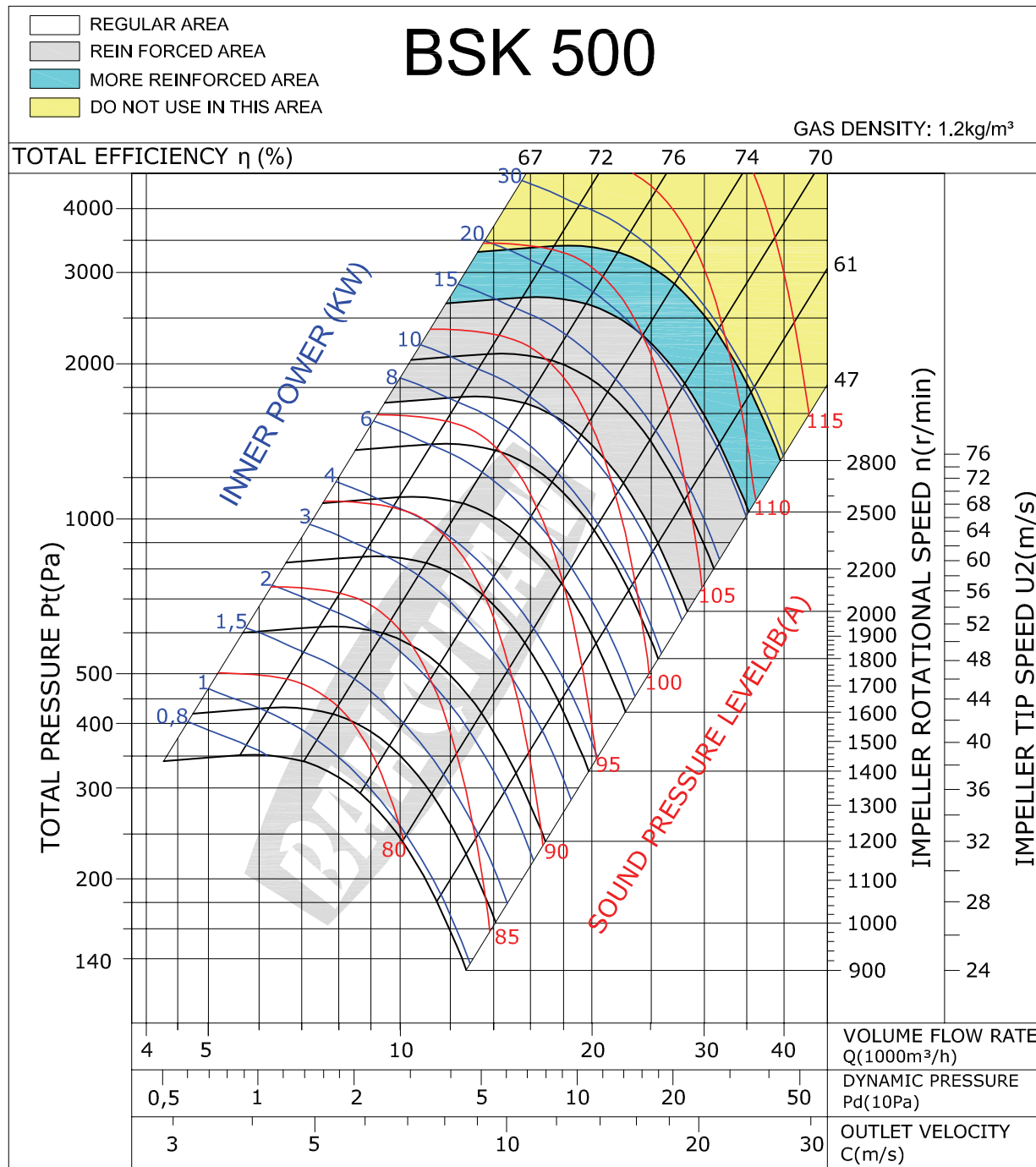
TYPE	A	B	C	E	F	G	H	J	K	M	N	R	t	t1	W	X	ØD	LXV
BSK 250	419	461	322	270	195	224	347	384	30	490	372	34	6	6	50	28	25	13X18
BSK 280	466	518	361	302	215	280	391	432	30	575	421	34	8	7	50	28	25	13X18
BSK 315	518	578	404	340	236	280	434	480	30	640	464	38	8	7	60	28	25	13x18
BSK 355	578	655	453	384	261	355	490	548	40	700	520	30	8	7	60	33	30	13x18
BSK 400	651	736	507	432	290	355	549	613	40	760	589	38	8	7	60	33	30	13x18
BSK450	727	827	569	487	322	530	611	681	40	845	651	46	10	8	70	38	35	13x18
BSK 500	800	918	638	538	352	530	680	750	40	920	718	50	12	8	70	43	40	13x18
BSK 560	898	1031	715	603	390	530	777	845	50	1070	815	50	14	9	90	53.5	50	13x18
BSK 630	999	1157	801	679	434	530	851	946	50	1155	901	53	14	9	90	53.5	50	13x18

Dimensions are in (mm)









DUCT FANS

ROOF FANS

AXIAL FANS

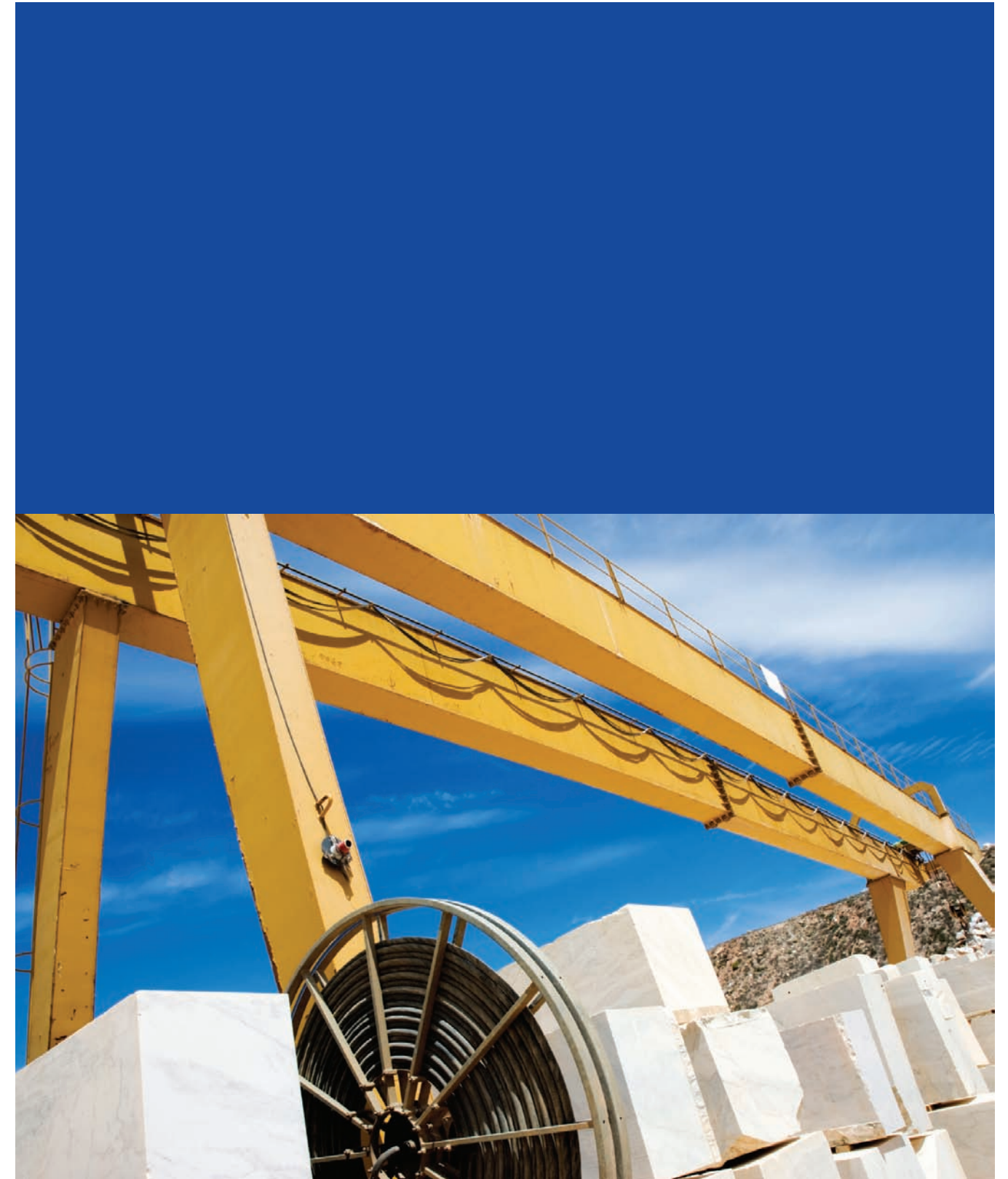
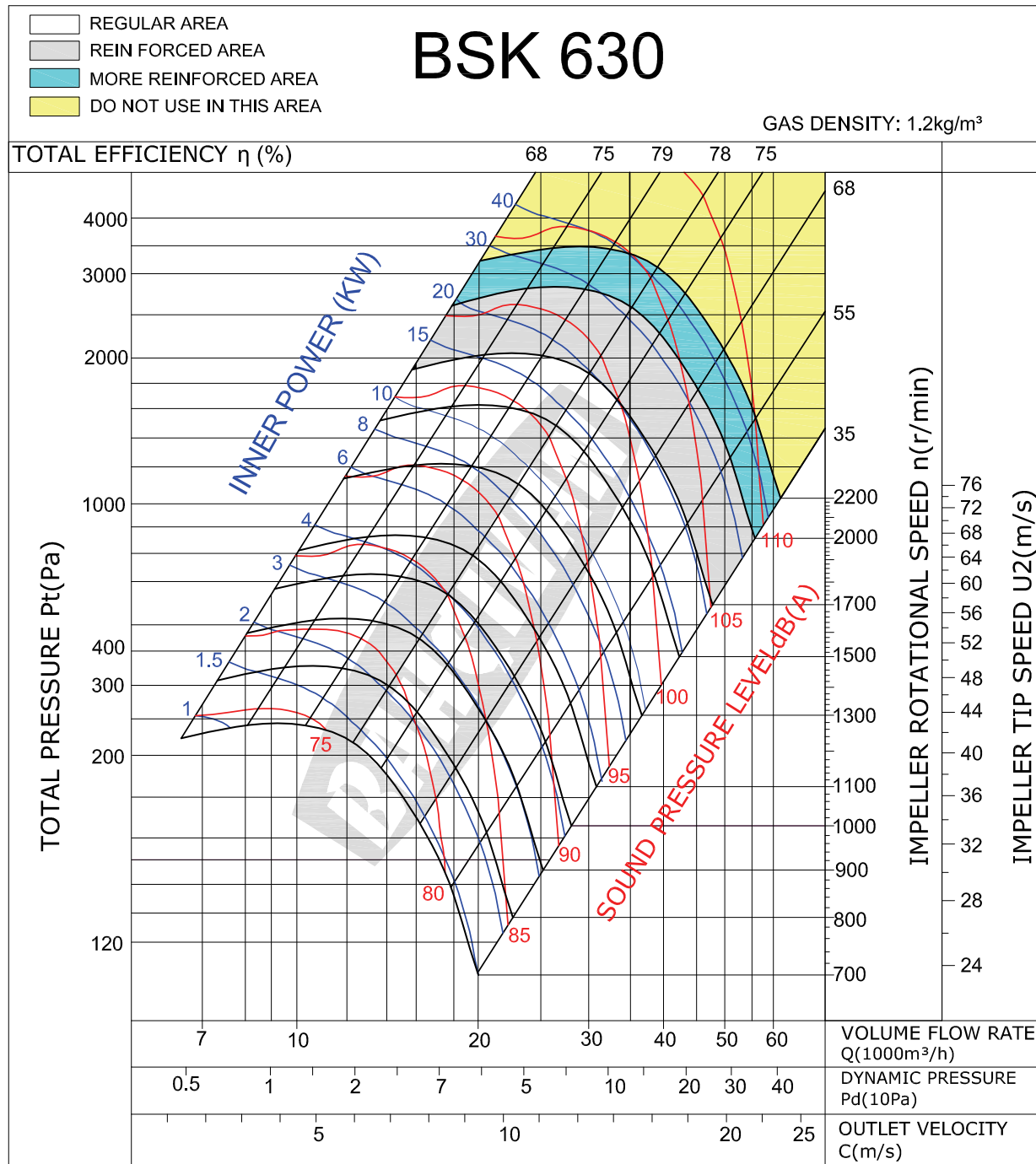
RADIAL FANS

JET FANS

PLASTIC FANS

VENTILATORS

ACCESSORIES



DUCT FANS

ROOF FANS

AXIAL FANS

RADIAL FANS

JET FANS

PLASTIC FANS

VENTILATORS

ACCESSORIES