

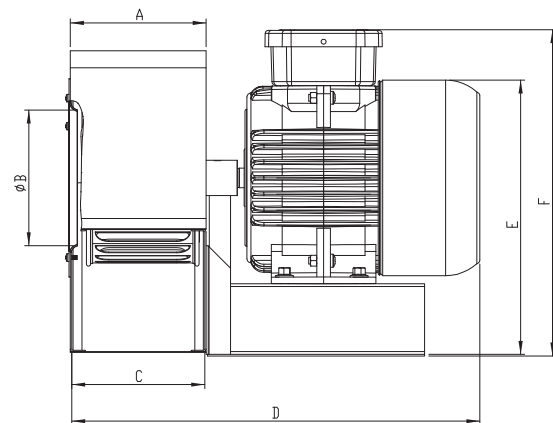
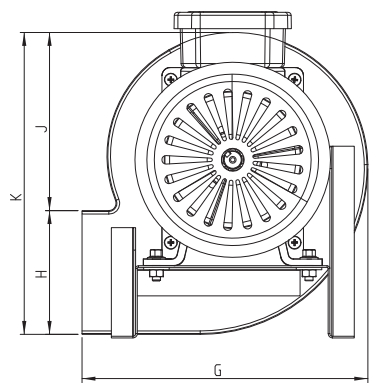


# OBR 140

AC CENTRIFUGAL FANS  
Single Inlet

OBR 140 works at higher temperatures due to out of airflow motor location. Forward curved impellers suit higher pressure points.

## Technical Drawing

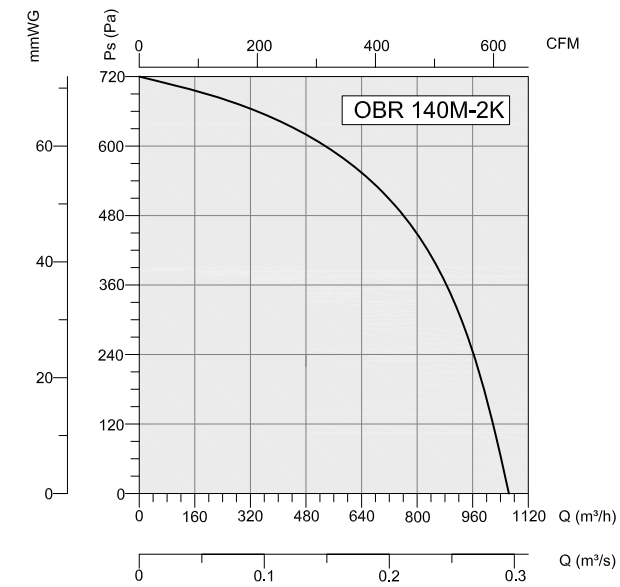


- MATERIAL** : Housing is made of electrostatic powder coated sheet metal, forward curved impeller is made of galvanized sheet metal.
- INSULATION CLASS** : Class B
- DIRECTIVE** : EN 60335-1, EN 60335-2-80
- SPEED CONTROL** : Speed can be adjusted using an optional controller.
- APPLICATION AREAS** : Factories, depots, dyehouses, plants, machines etc. likely dusty places where dust and heat must be circulated.

TYPE	VOLTAGE V	FREQUENCY Hz	POWER W	CAPACITOR (µF)	SPEED rpm	AIR FLOW m³/h	SOUND PRESSURE LEVEL dB(A)	WEIGHT kg
OBR 140M-2K	230	50	215	8	2900	1100	50	7.2

TYPE	A	B	C	D	E	F	G	H	J	K
OBR 140M-2K	103	106	102	294	200	240	204	91	125	216

Dimensions are in (mm)



## Accessories

