

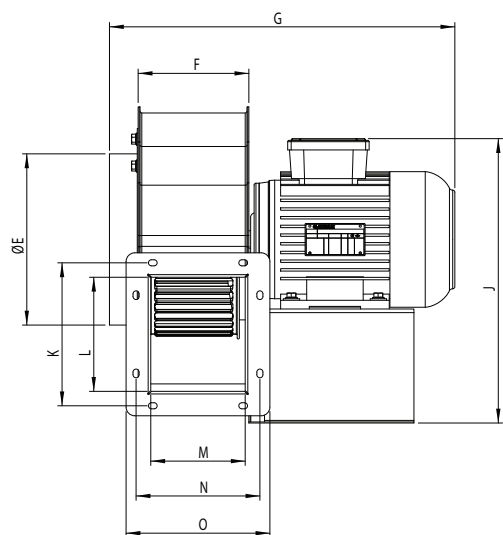
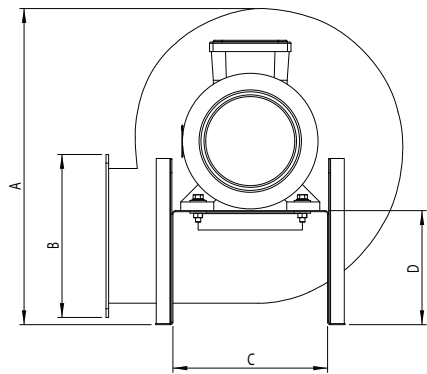


# OBR 260

AC CENTRIFUGAL FANS  
Single Inlet

OBR 260 works at higher temperatures due to out of airflow motor location. Forward curved impellers suit higher pressure points.

## Technical Drawing



- MATERIAL** : Housing is made of electrostatic powder coated sheet metal, forward curved impeller is made of galvanized sheet metal.
- INSULATION CLASS** : Class B
- DIRECTIVE** : EN 60335-1, EN 60335-2-80
- SPEED CONTROL** : Speed can be adjusted using an optional controller.
- APPLICATION AREAS** : Factories, depots, dyehouses, industrial iron machines, olive election machines, plastic and packaging machines etc. likely dusty places where dust and heat must be circulated, and cooling systems.

## Accessories



BSC



BSC-F



BYH

TYPE	VOLTAGE		FREQUENCY		POWER		CAPACITOR		SPEED		AIR FLOW		WEIGHT	
	V	Hz	W	(µF)	rpm	m <sup>3</sup> /h	kg							
OBR 260M-2K	230	50	1500	25	2730	2700	11.2							
OBR 260M-4K	230	50	270	10	1375	1450	9.8							
OBR 260T-2K	380	50	1500		2735	2700	11							
OBR 260T-4K	380	50	270		1385	1500	9.8							

TYPE	A	B	C	D	E	F	G	J	K	L	M	N	O
OBR 260	361	194	155	119	197	128	405	327	162	137	115	140	163

Dimensions are in (mm)

