

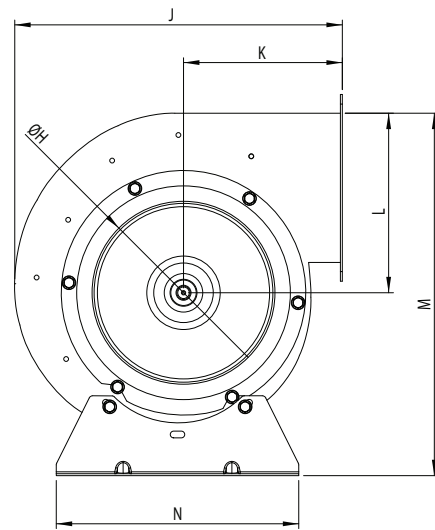
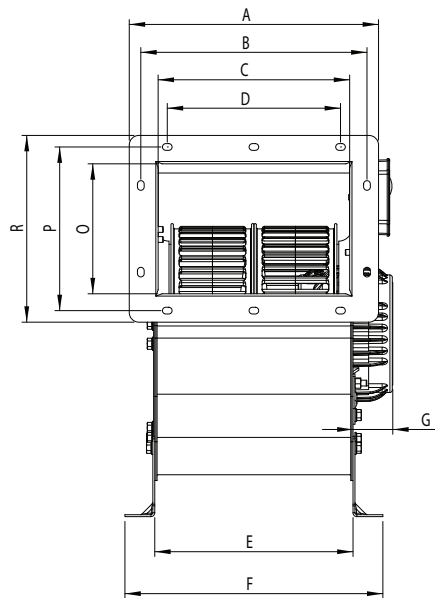


OÇES

AC CENTRIFUGAL BLOWERS Double Inlet

OÇES fan's compact structure benefits space saving for various cooling and ventilation applications.

Technical Drawing

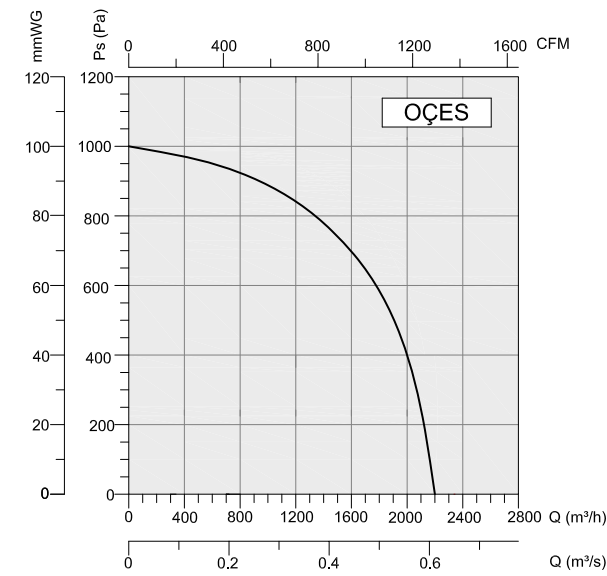


- MATERIAL** : Housing is made of electrostatic powder coated sheet metal, forward curved impeller is made of galvanized sheet metal.
- INSULATION CLASS** : Class B
- DIRECTIVE** : EN 60335-1, EN 60335-2-80
- SPEED CONTROL** : Speed can be adjusted using an optional controller.
- APPLICATION AREAS** : Factories, depots, dyehouses, shopping centers, plastic and packaging machines etc high volumed areas to be vented.

TYPE	VOLTAGE V	FREQUENCY Hz	POWER W	CAPACITOR (μ F)	SPEED rpm	AIR FLOW m ³ /h	SOUND PRESSURE LEVEL dB(A)	WEIGHT kg
OÇES	230	50	400	10	1182	2200	44	10

TYPE	A	B	C	D	E	F	G	H	J	K	L	M	N	O	P	R
OÇES	258	234	197	180	210	269	41	190	339	160	189	396	252	133	169	194

Dimensions are in (mm)



Accessories

